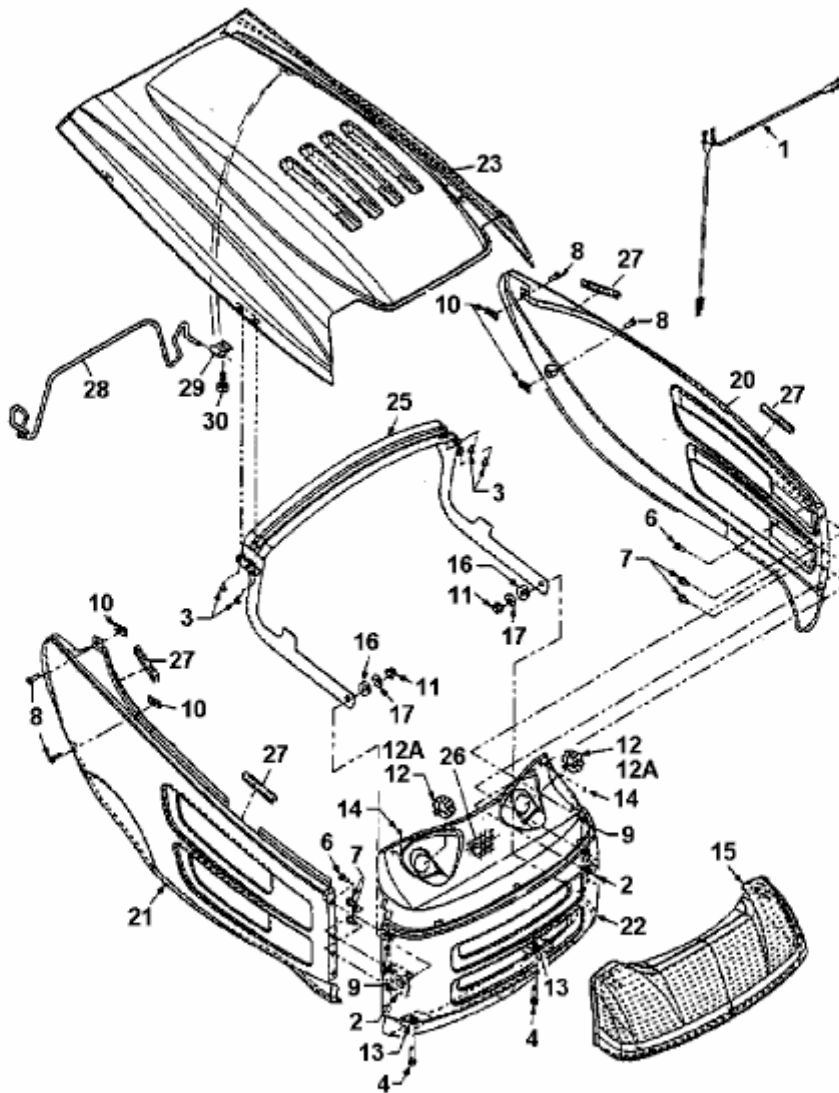


SG 175 H > 13AD518G678 (2003) > MOTORHAUBE 8-STYLE



fsg