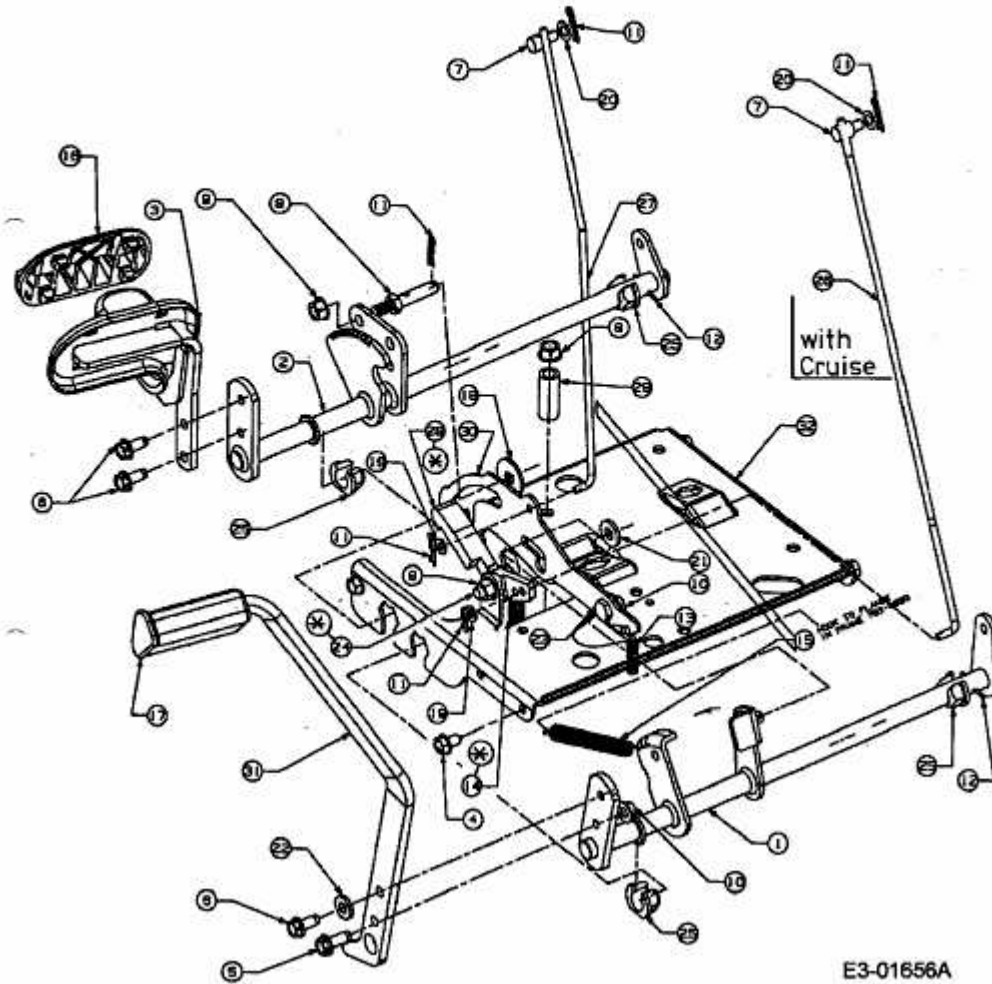


## Pedale

500- Hydro , w/ Cruise Control  
500- Hydro , w/o Cruise Control



E3-01656A