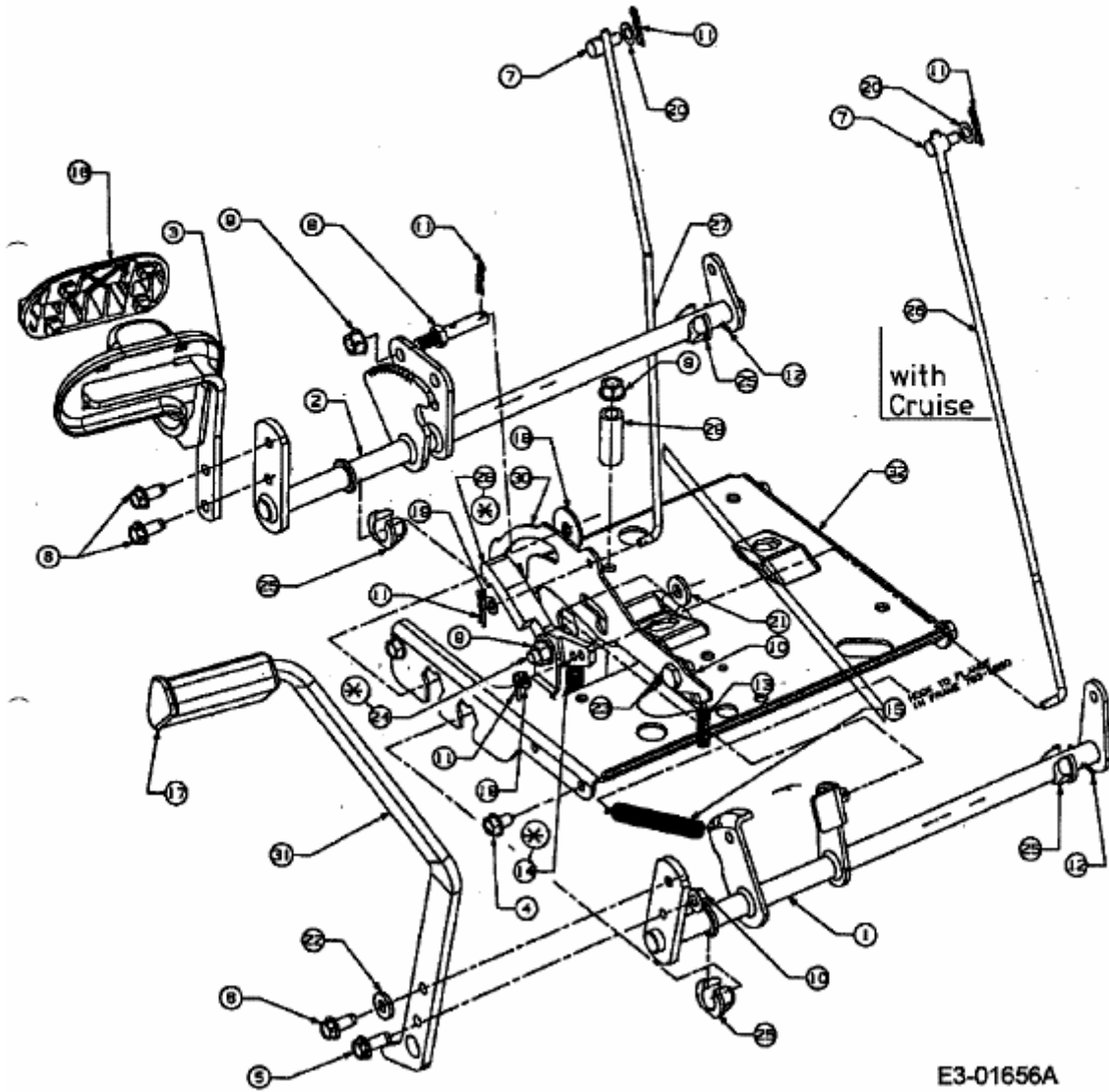


Pedale

500- Hydro , w/ Cruise Control

500- Hydro , w/o Cruise Control



E3-01656A