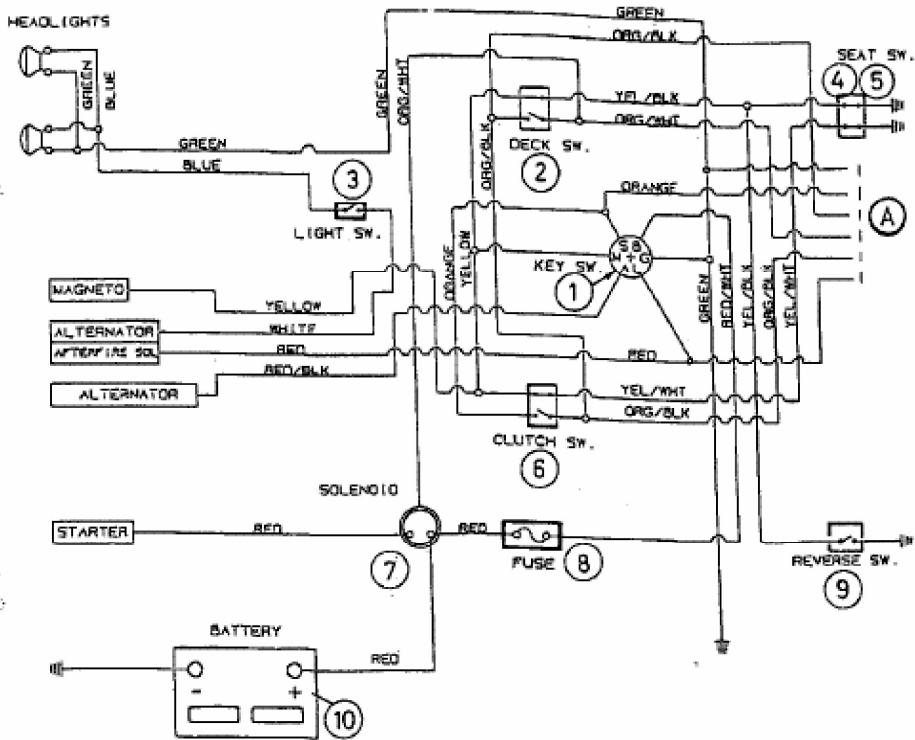


LRH 160 E > 13AD493E679 (1999) > SCHALTPLAN INTEK OHNE
ELEKTROMAGNETKUPPLUNG

KEY SWITCH 725-1398	
OFF	G+M+A
RUN	B+L+A
START	B+S+L

Green	5 GRD
Orange	2 BRK+
Org/Blk	4 Deck+
Org/Wht	3 Deck-
Org/Blk	1 Brk-
Red	8+12V



- 13AP414A643 HA 4145
- 13AP414F643 HF 4145
- 13AP416A680 LRH 145 H
- 13AP416A690 SPRINT SLX 76 RH
- 13AP494A643 HA 4145
- 13AP496A690 SLX 76 RH

SCHEM : ELEC : 400 HYDRO : INTEK
813-04375 WITHOUT PTO

E3-01403 A