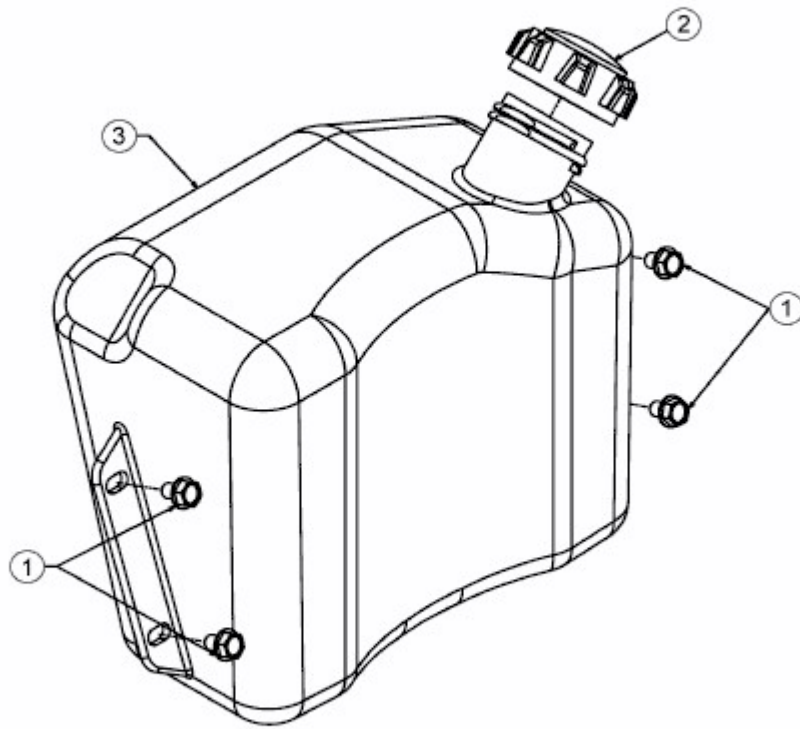


EP 165/105 > 13AD489N608 (2005) > TANK



E3-02020A-01