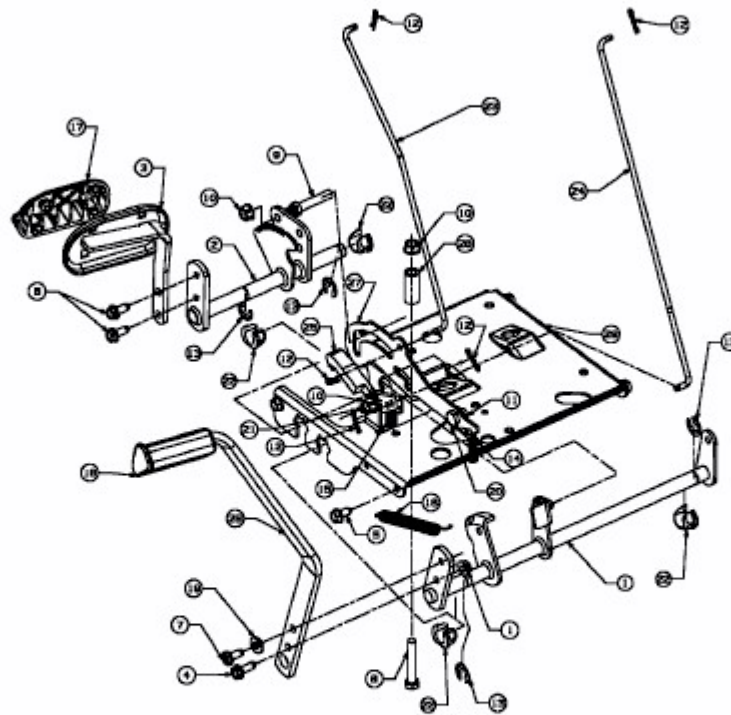


EP 165/105 > 13AD489N608 (2005) > PEDALE



E3-002030A