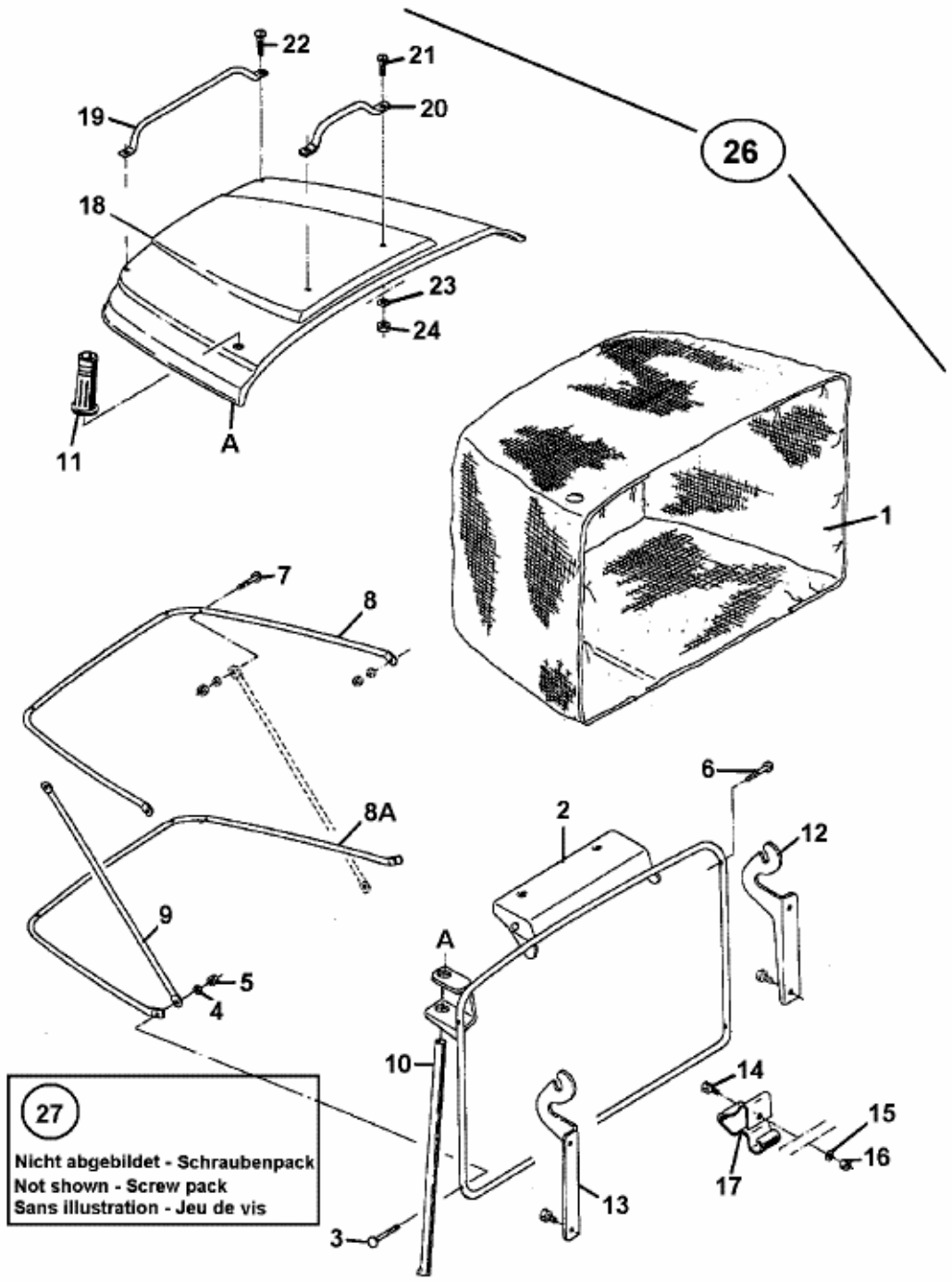


TA 4120 > 13AC474A643 (2002) > GRASFANGKORB



fig

E3-01389A-01