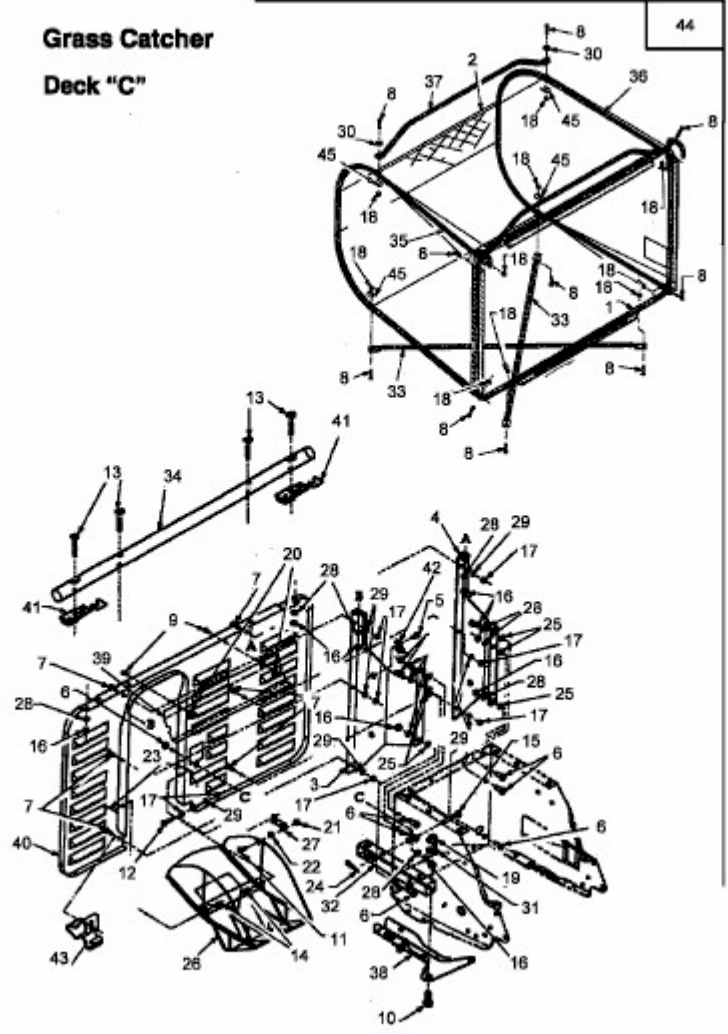


T 76 > 13AC451C621 (1997) > GRASFANGKORB



E3-01302B-01