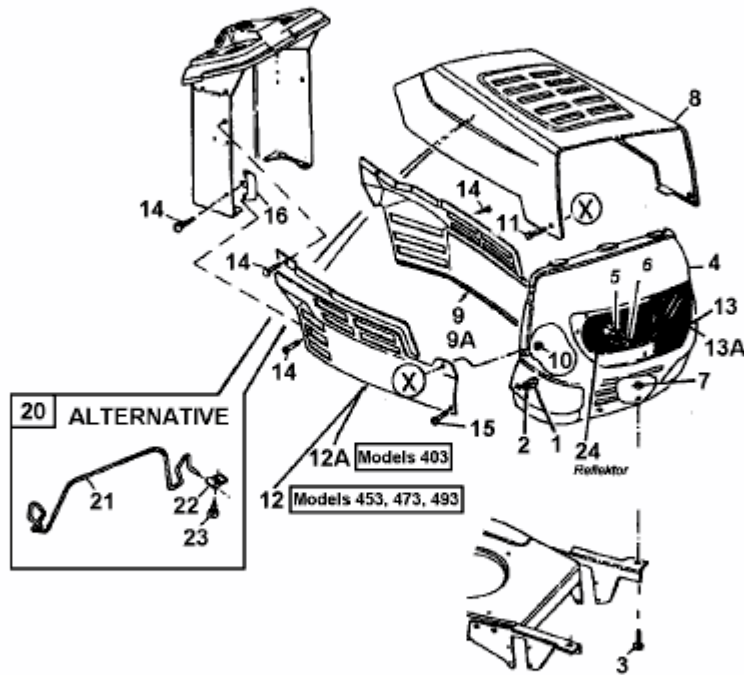


B 125 > 13AA473F678 (1998) > MOTORHAUBE 3-STYLE

STYLE 3



fig

E3-01298B-01