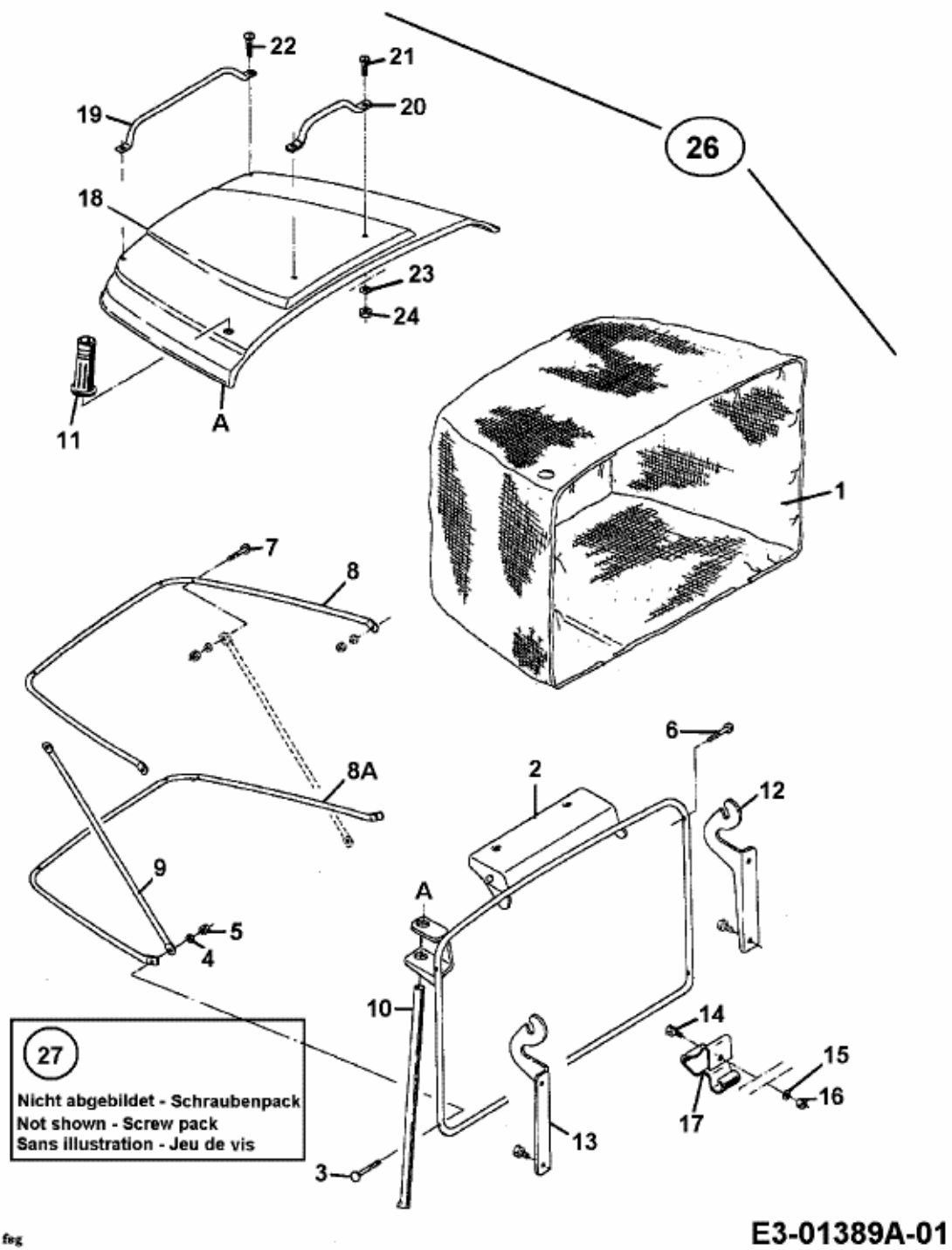


TA 4140 > 13AA473A643 (1998) > GRASFANGKORB



fig