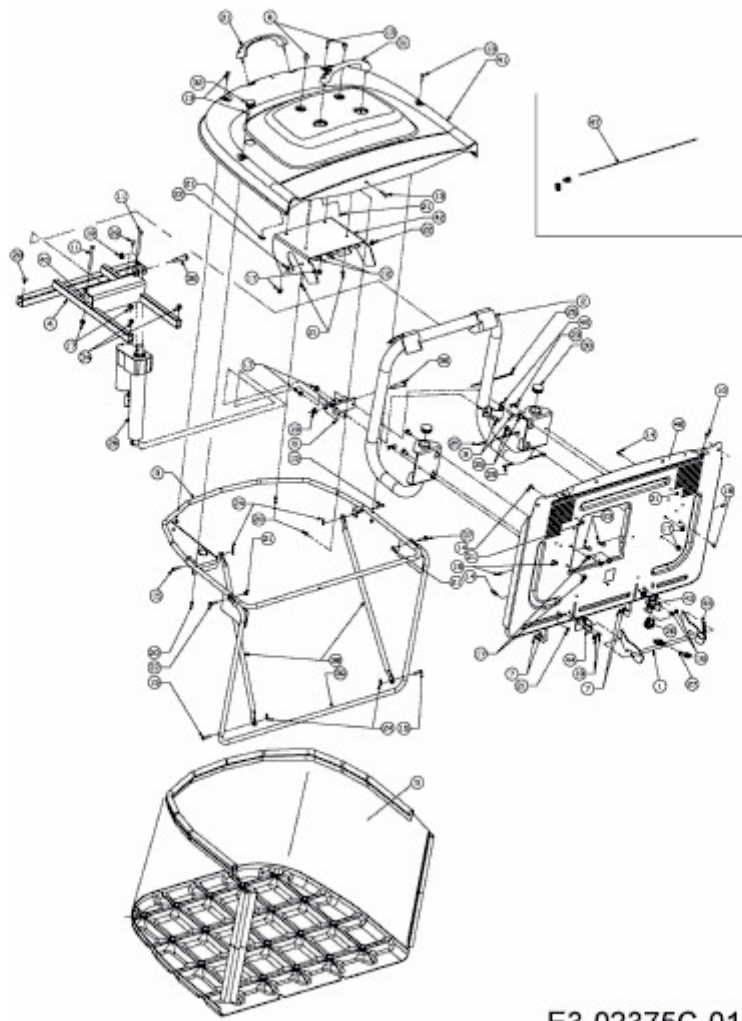


13A951CN603 (2008) > GRASFANGSACK



E3-02375C-01