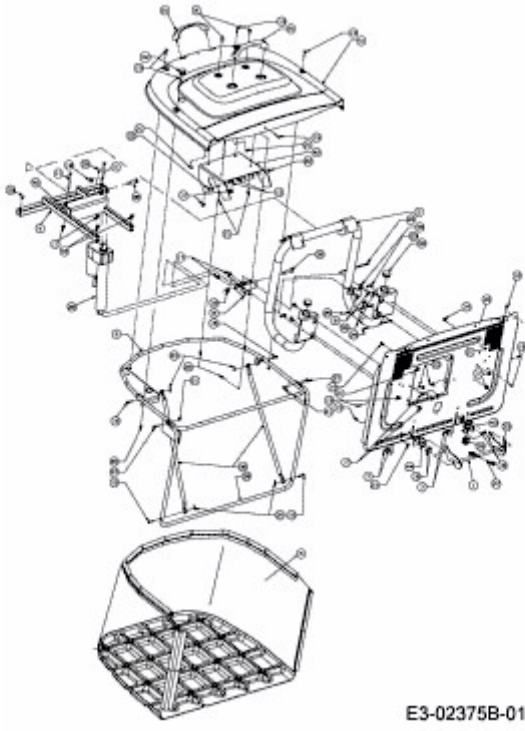


13A951CN603 (2007) > GRASFANGKORB



E3-02375B-01