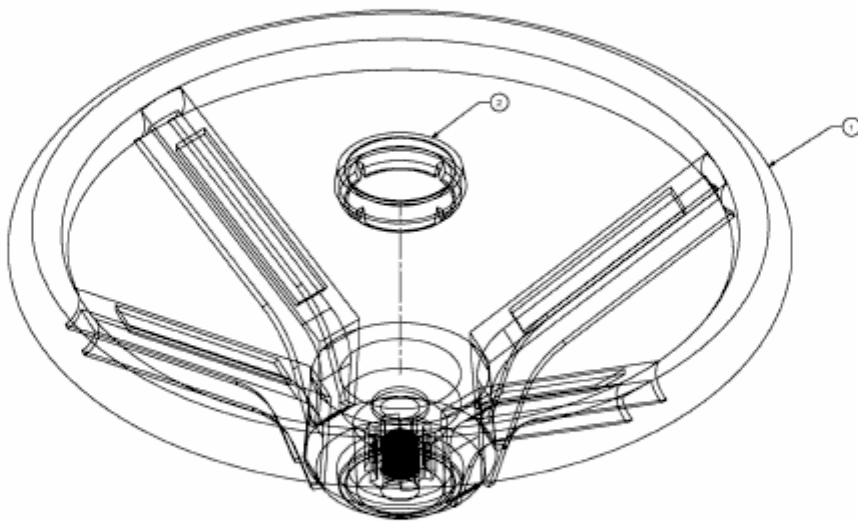


SE 160 AT > 13A7508E678 (2002) > LENKRAD



E3-07958A-01