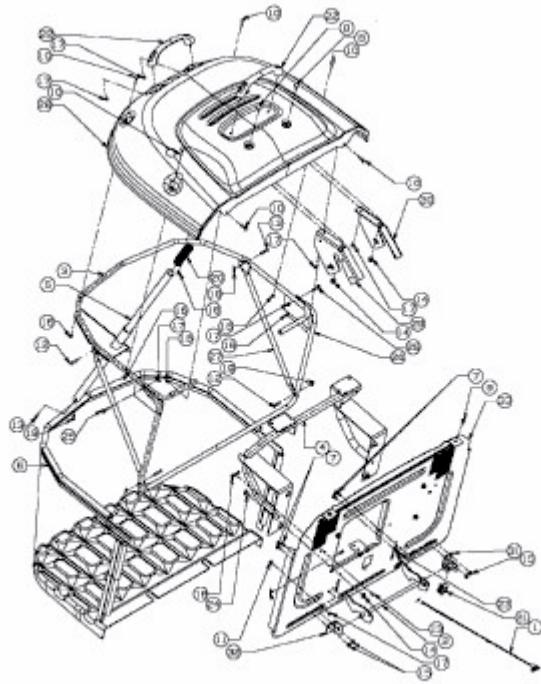


AMH 1651 > 13A5489N619 (2005) > GRASFANGKORB



E3-020608-01