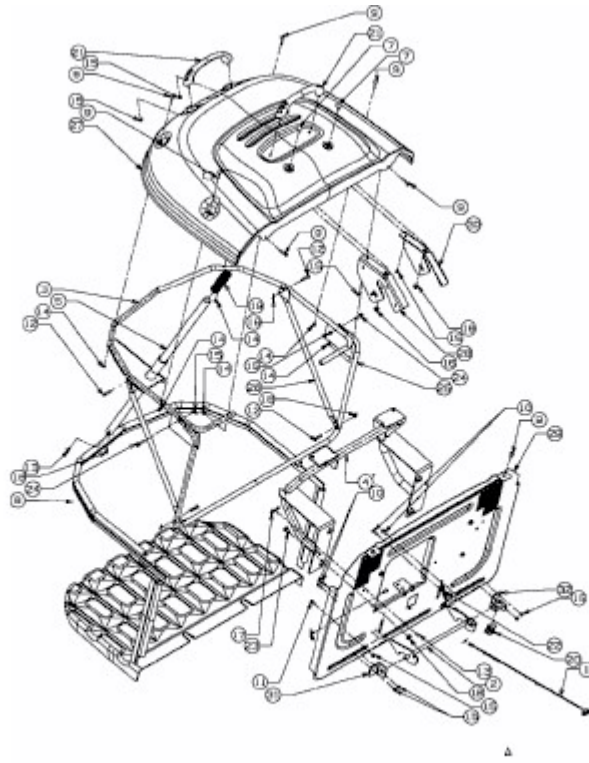


AMH 1651 > 13A5489N619 (2004) > GRASFANGKORB



E3-02080A-01