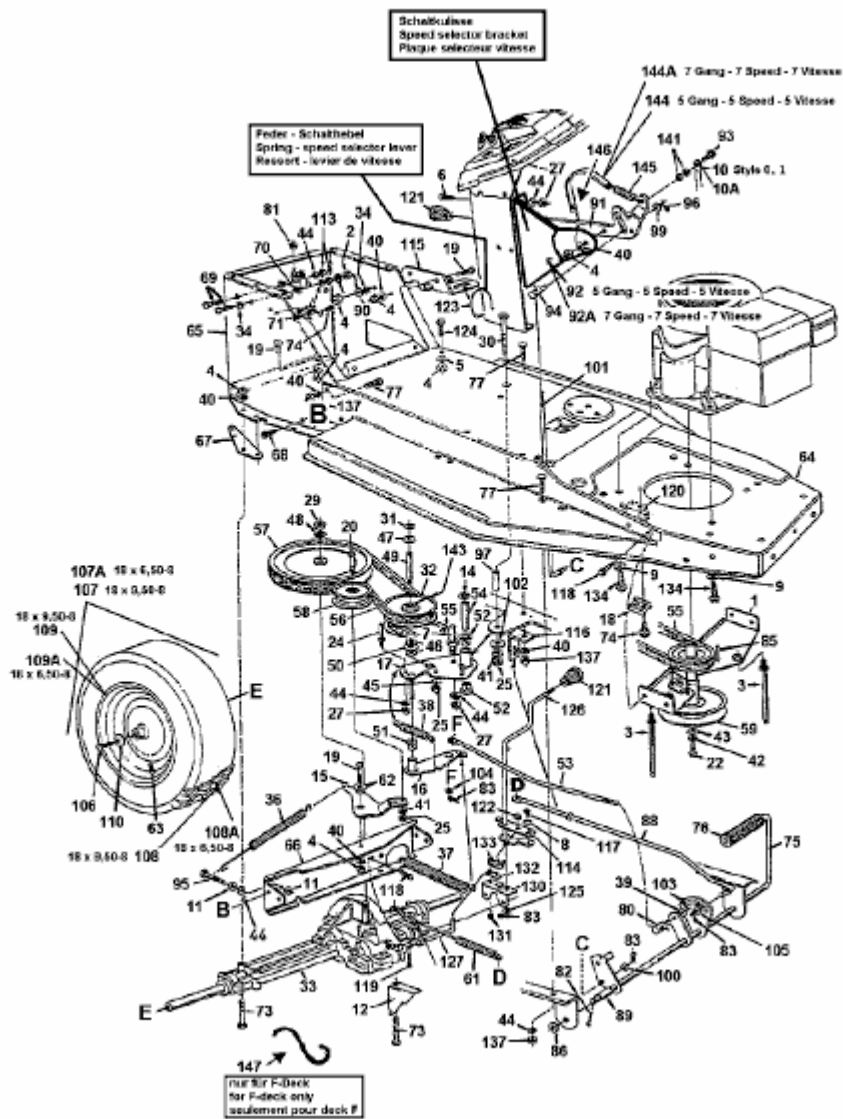


J 130 > 13A5475A678 (1998) > FAHRANTRIEB, MOTORKEILRIEMENSCHLEIBE, PEDAL, RÄDER  
HINTEN



E4-00590A-01