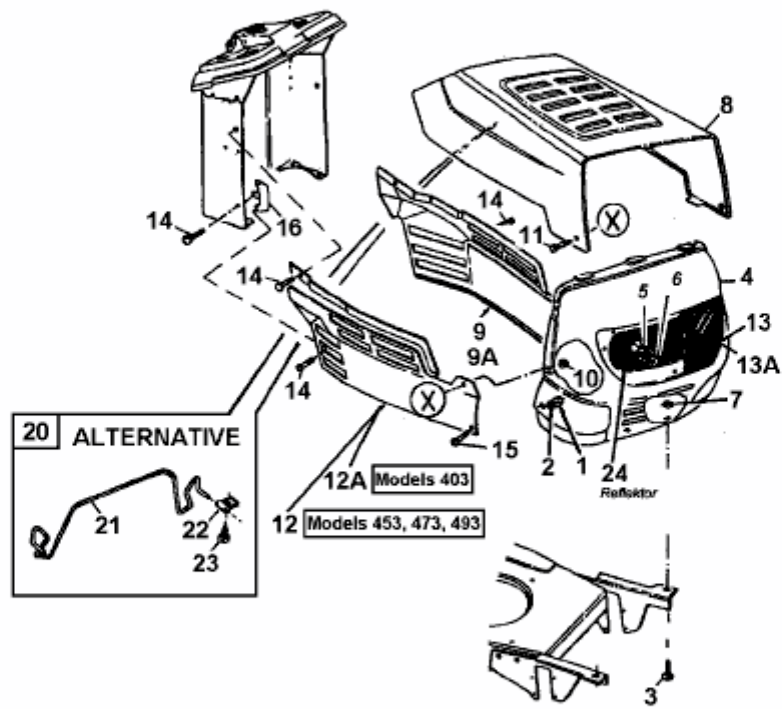


TF 4130 > 13A5473F643 (1998) > MOTORHAUBE 3-STYLE

STYLE 3



fsg

E3-01298B-01