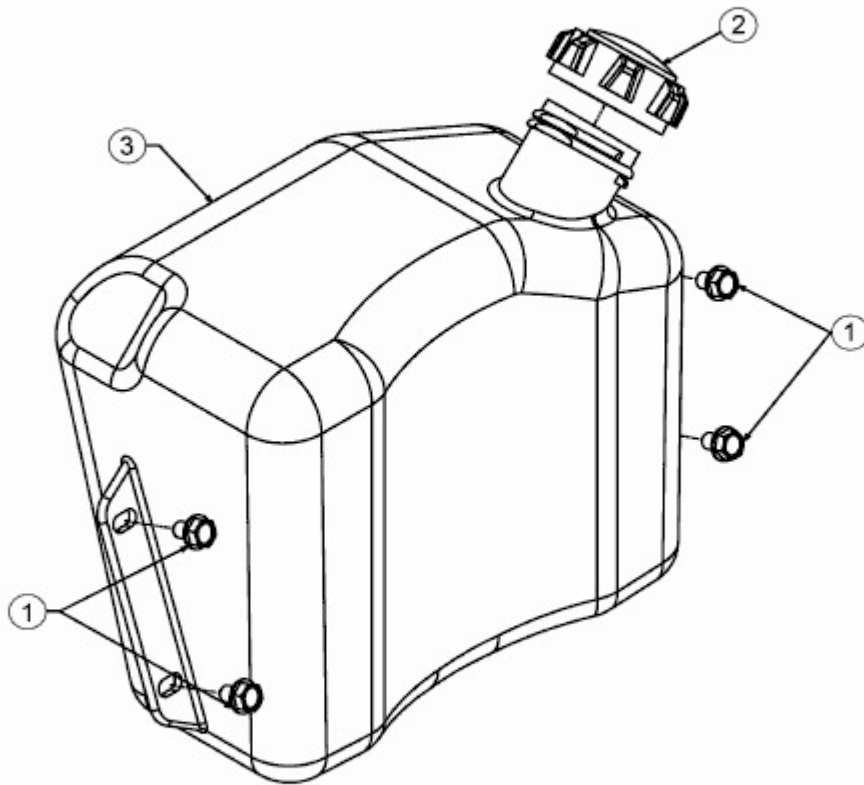


BL 175/105 H > 13A3511N684 (2007) > TANK



E3-02020A-01