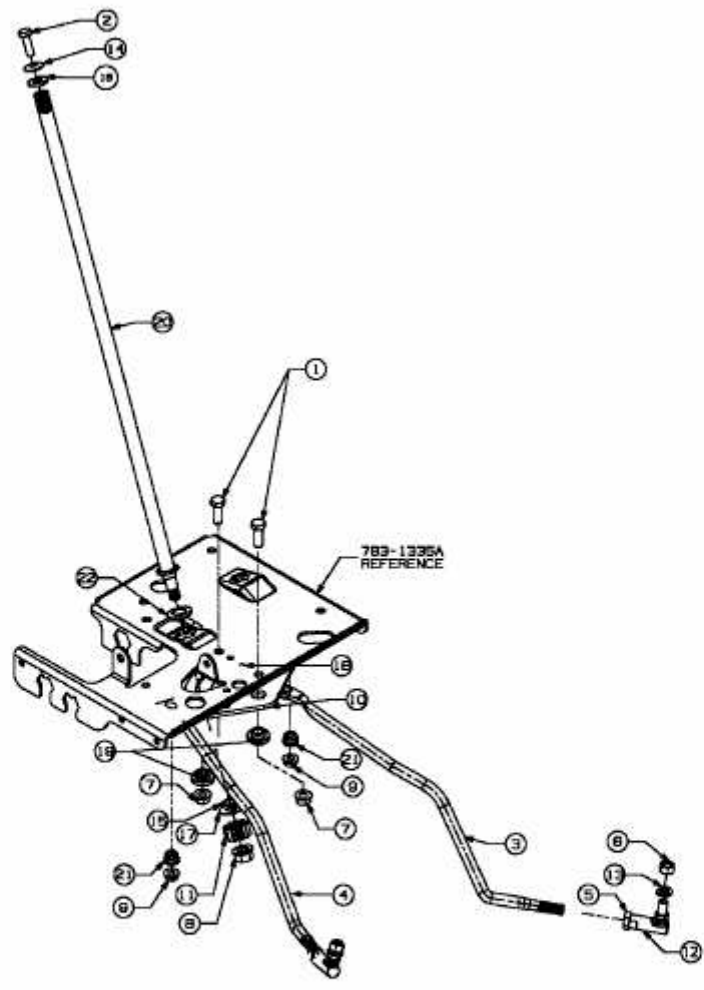


RH 175/105 A > 13A3488N600 (2005) > LENKUNG



E3-02000A-01