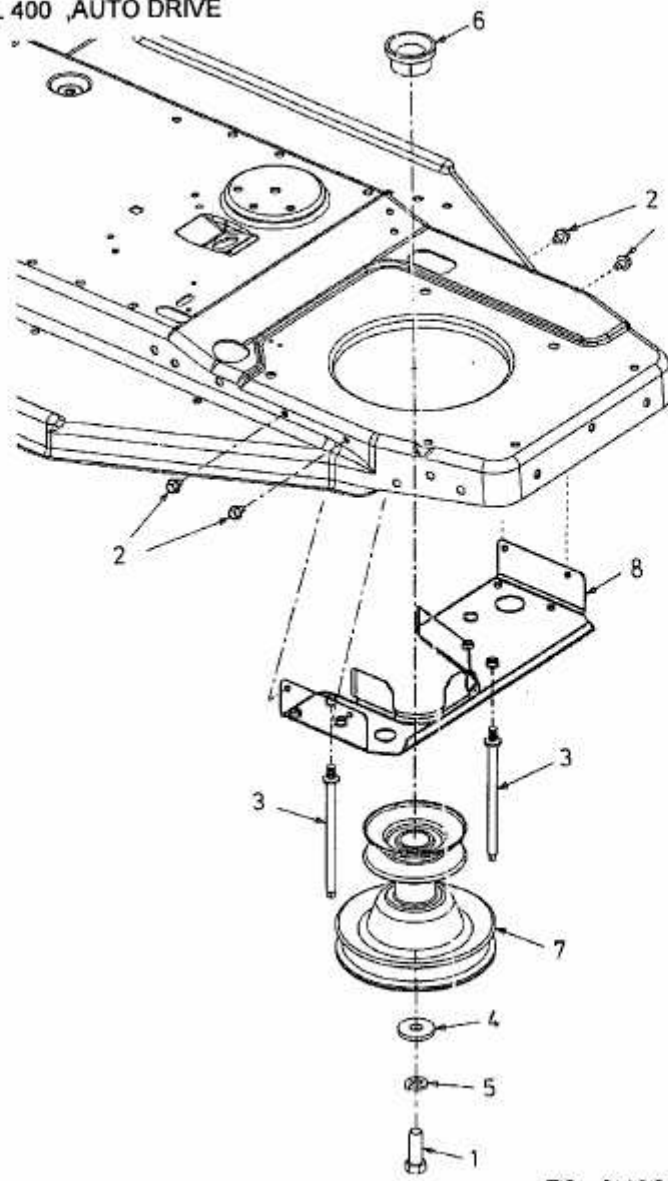


RH 155/92 T > 13A3452E600 (2003) > MOTORKEILRIEMENSCHLEIBE

Manual PTO

RIDER MODEL 400 ,AUTO DRIVE



E3 -01436 B