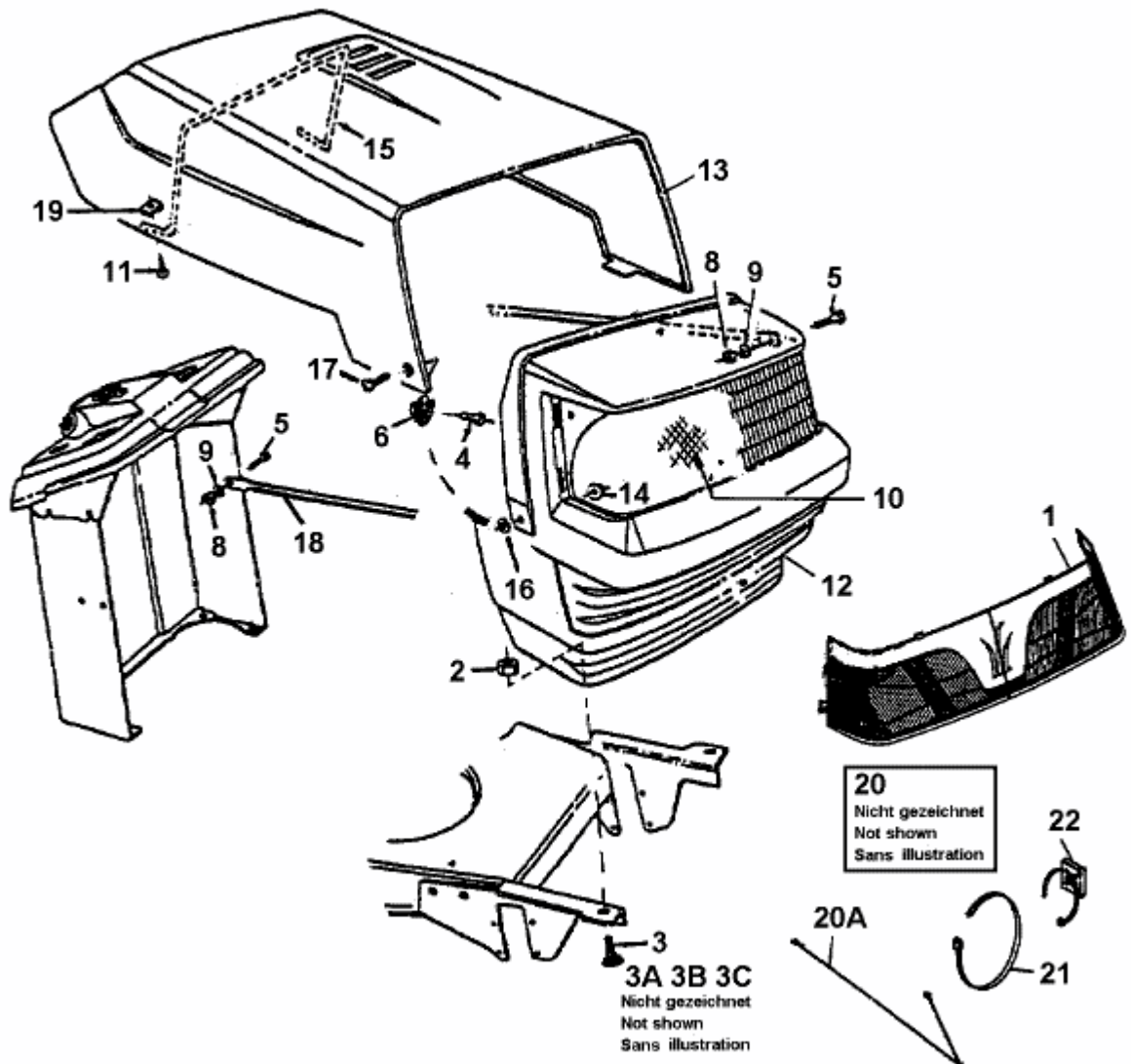


B 125 > 13A3450F600 (2002) > MOTORHAUBE 0-STYLE

# 450 & 470



**E3-01385C-01**