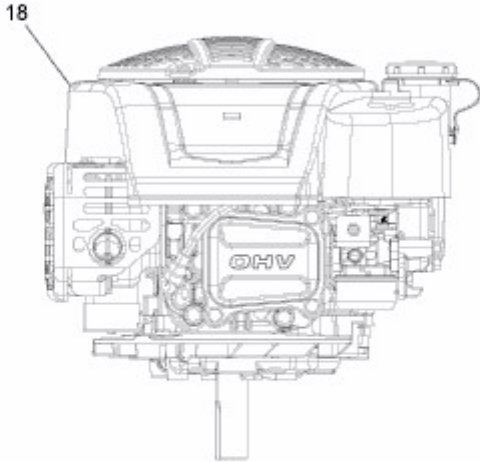


Briggs & Stratton



Model: 122S07
Type: 0014H1

E3-08292B-01