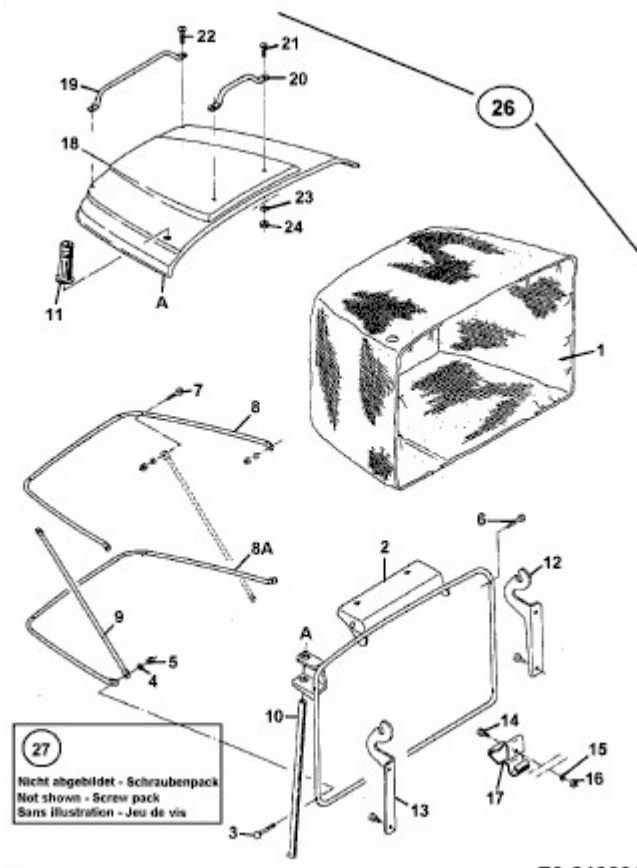


AMH 1202 > 13A2459A619 (2002) > GRASFANGKORB



E3-01389A-01