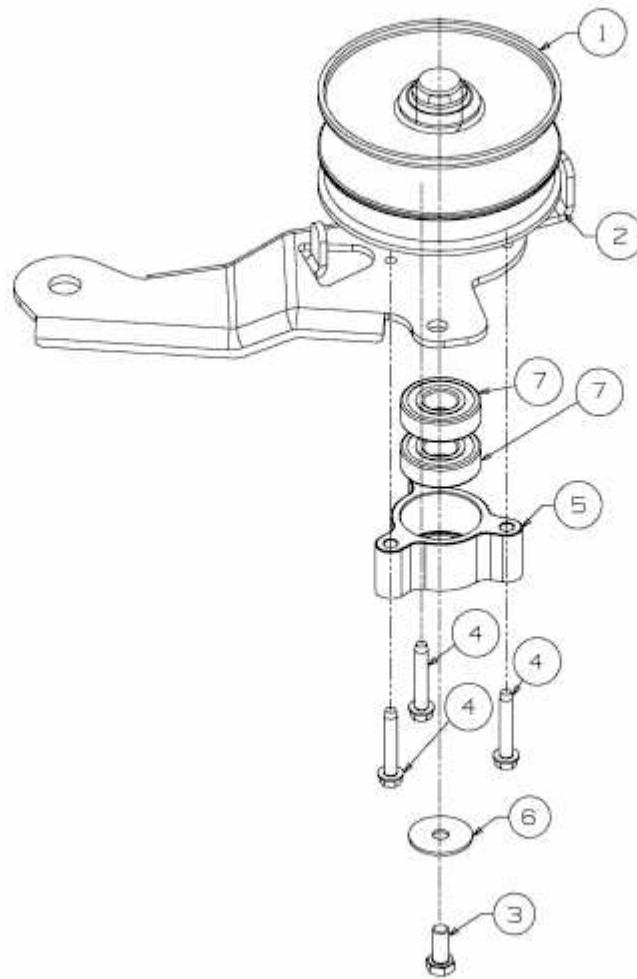


13.5/38 > 13A1765F308 (2016) > VARIATOR



E3-06545E-03