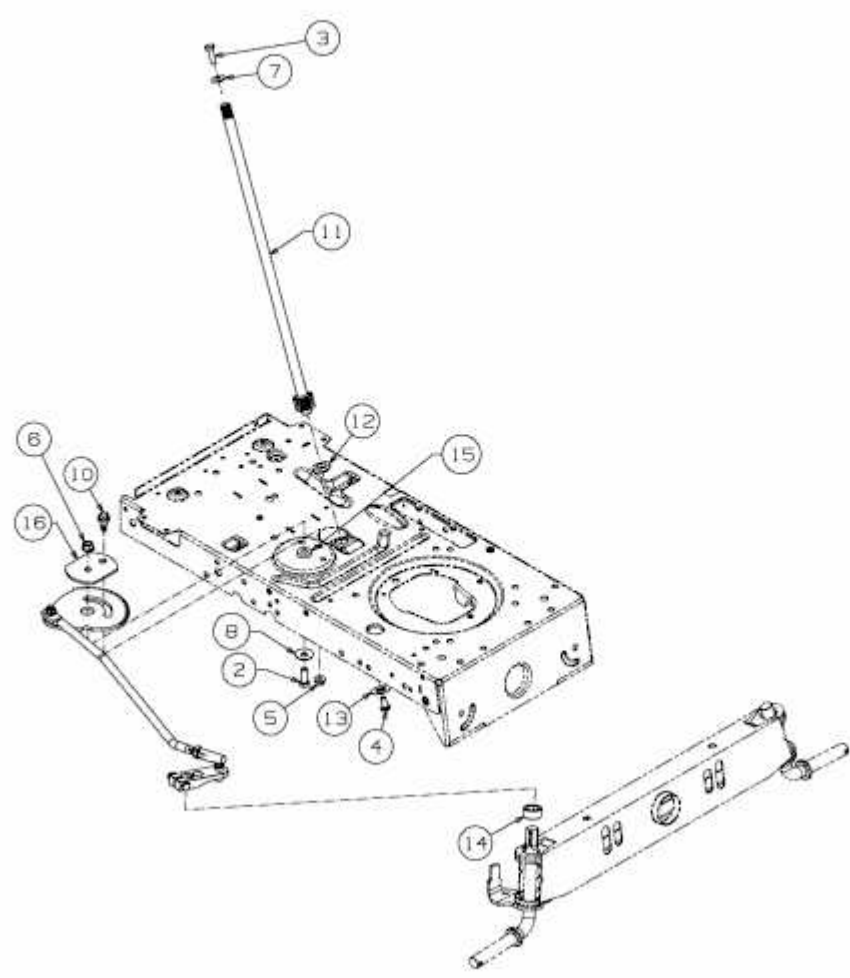


13.5/38 > 13A1765F308 (2016) > LENKUNG



E3-09166B-01