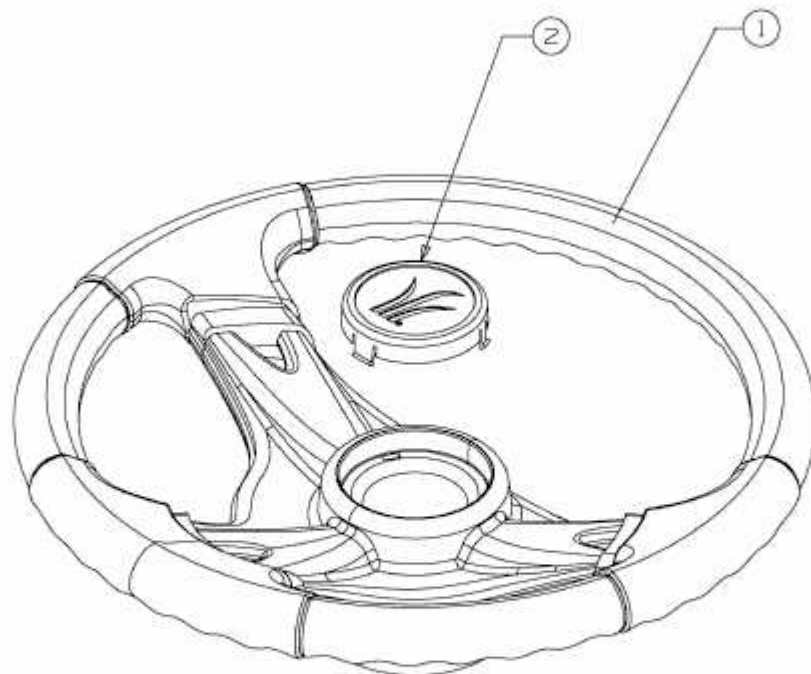


13.5/38 > 13A1765F308 (2015) > LENKRAD



E3-02014B-01