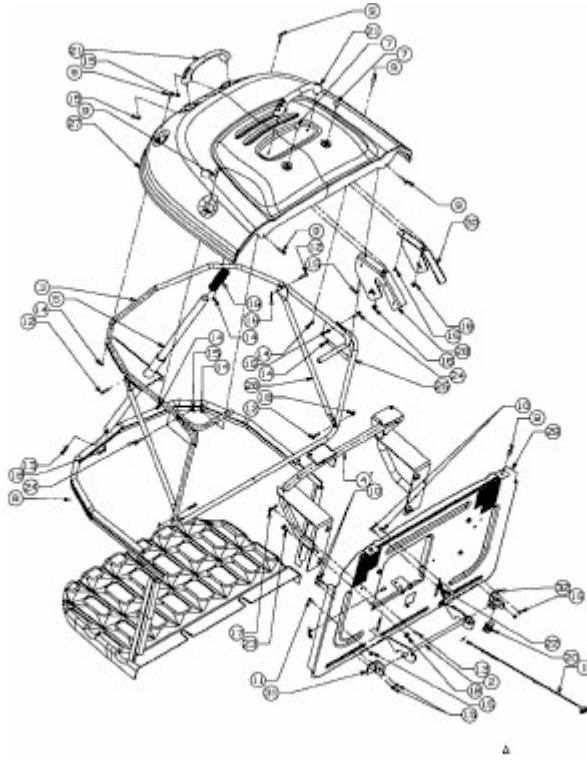


AMH 1303 > 13A1489E619 (2004) > GRASFANGKORB



E3-02080A-01