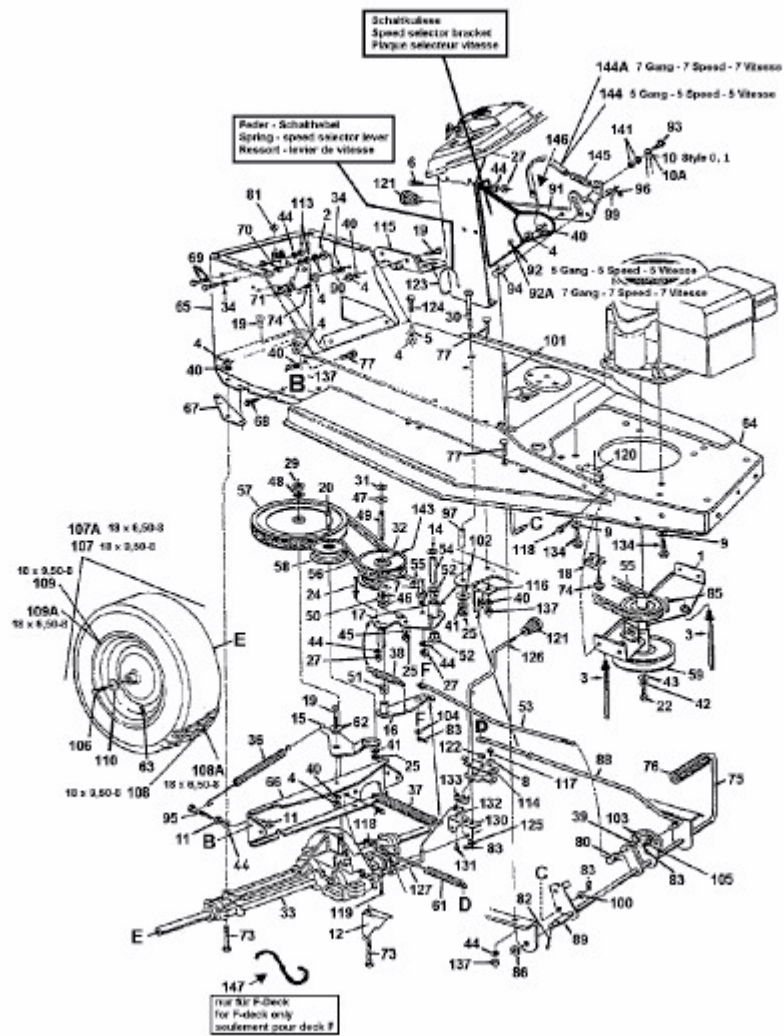


EDT 115-76 > 13A1452C610 (1998) > FAHRANTRIEB, MOTORKEILRIEMENSCHIBE, PEDAL, RÄDER
HINTEN



E4-00590A-01

Fig