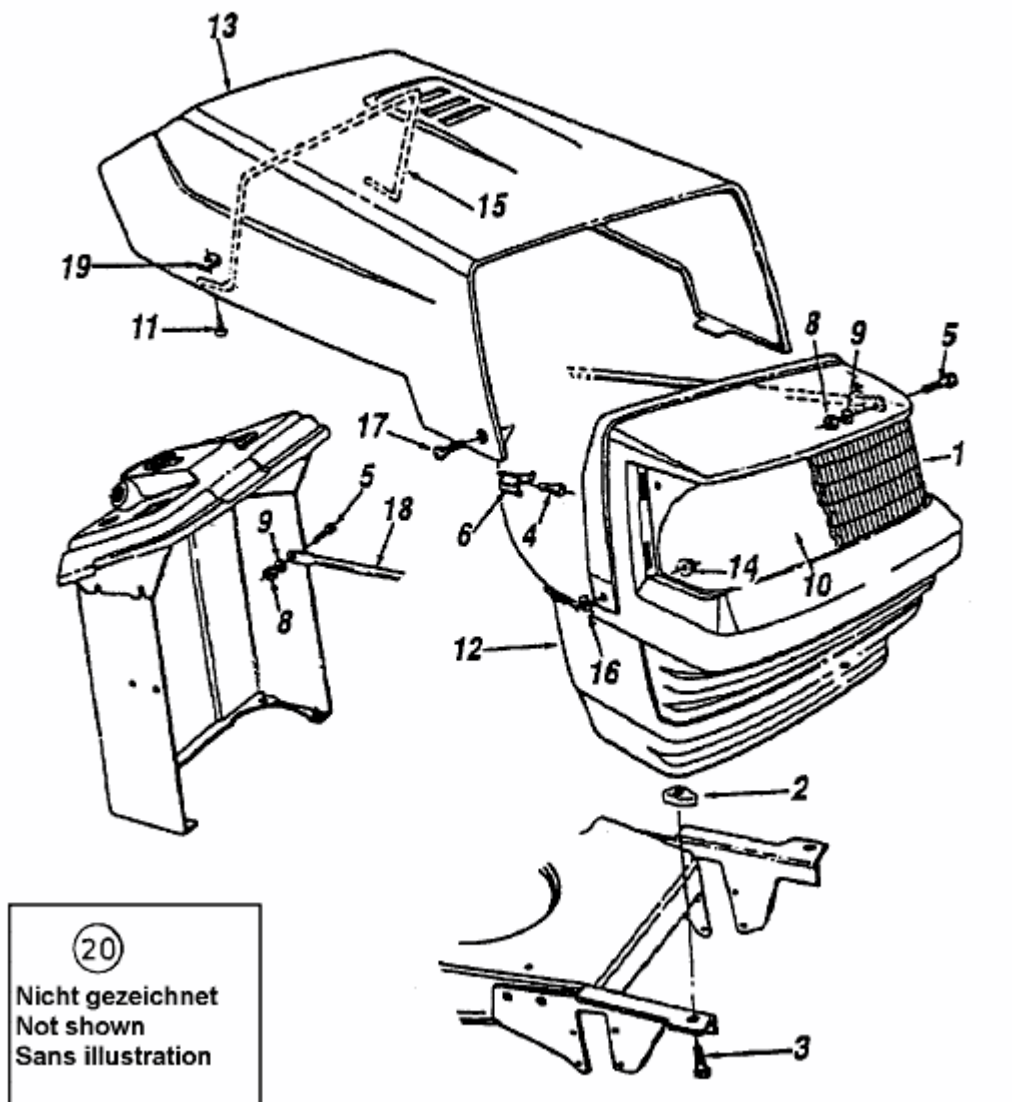


Models 450 and 470



E3-01385B-01