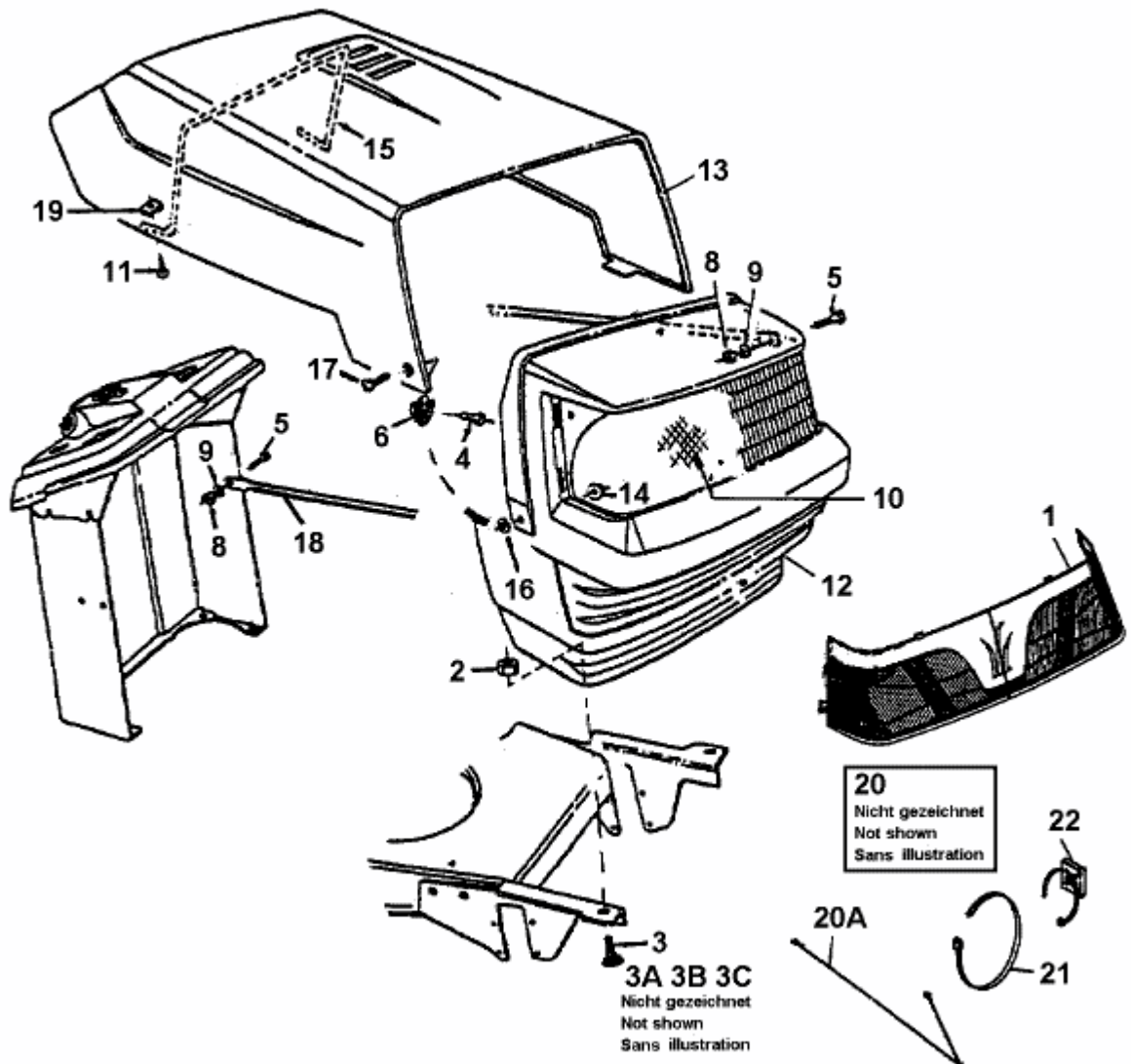


# 450 & 470



**E3-01385C-01**