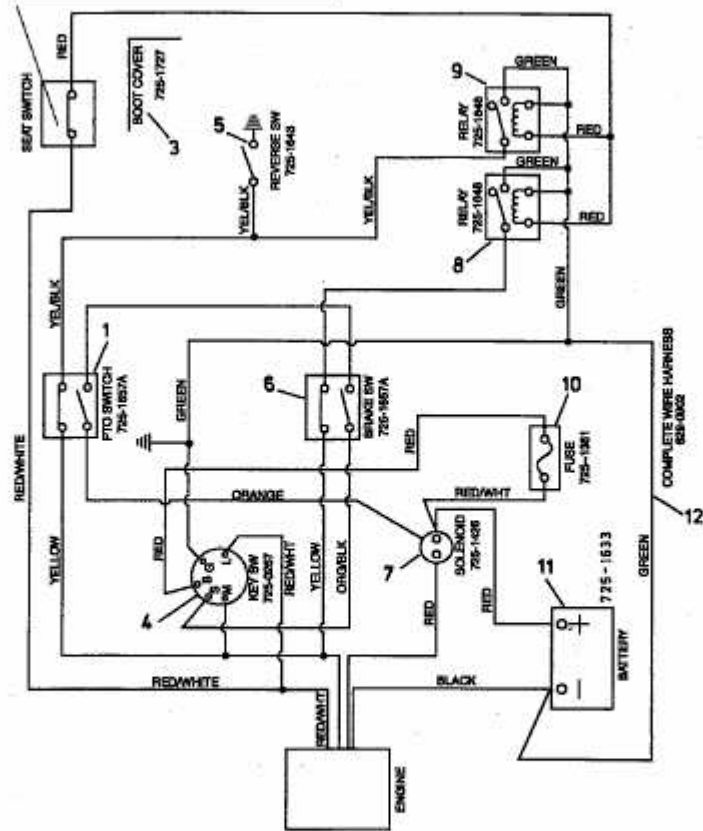


DX 70 / SPRINTO / ...  
Schaltplan  
Wiring Diagram

(Jan. 2004- ) 4Pin	(Nov. 1999-2003) 4Pin	(Jan. 1999-Nov. 1998) 2Pin NC	(1997-end 1998) 2Pin NC
2C	2B	2A	2



E4-00736B