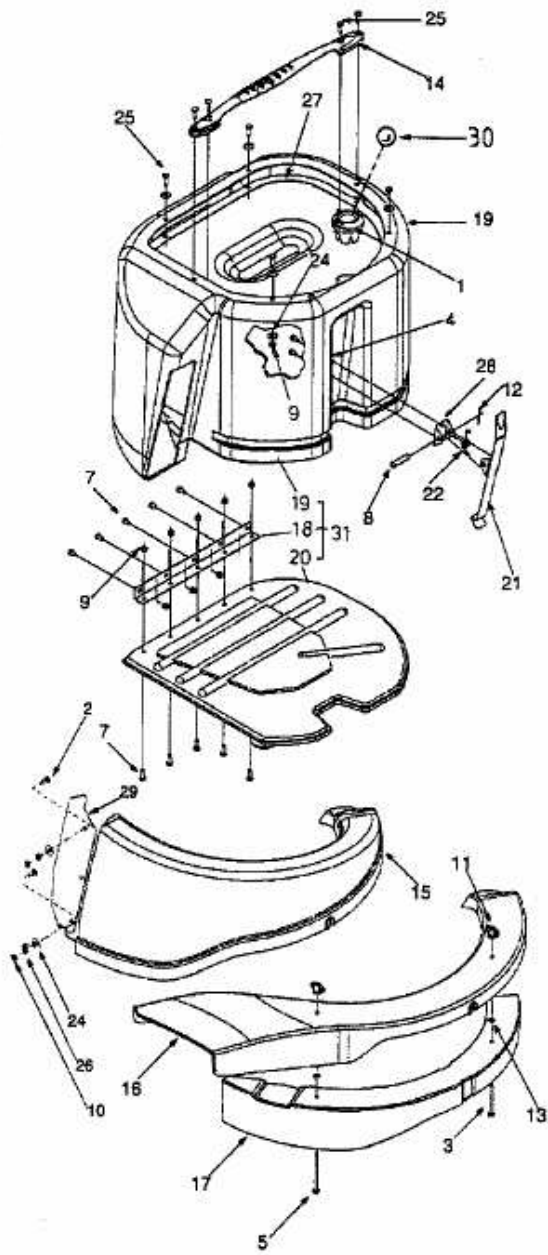


SPRINTO > 13A-315-678 (1998) > GRASFANGKORB

Deck Accessory—Three-in-One



E4-00735 B