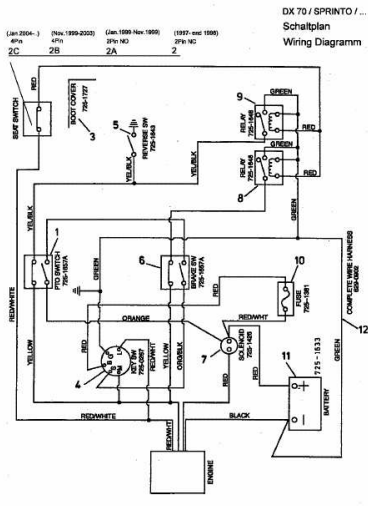


SPRINTO > 13A-312-678 (2001) > SCHALTPLAN



E4-00736B