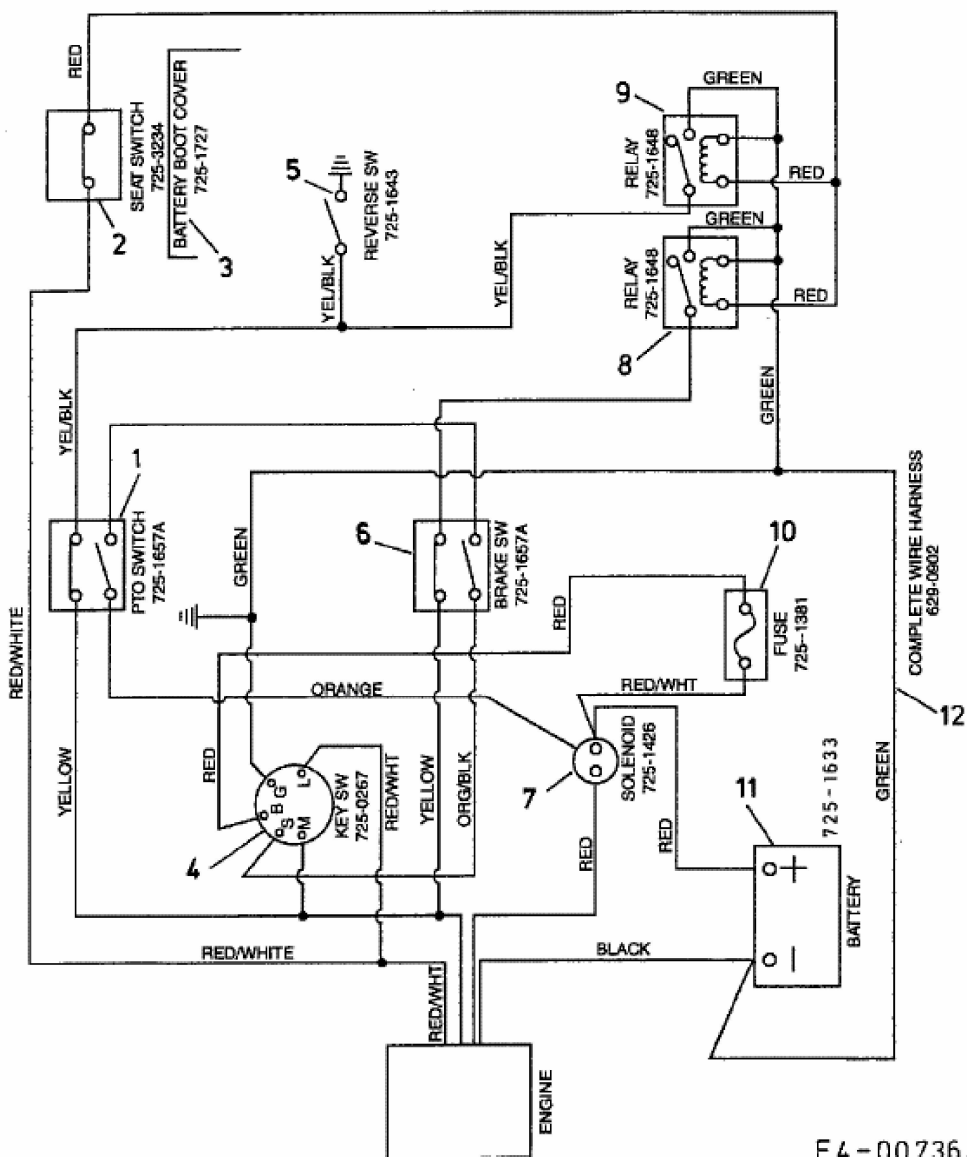


Wire Diagram



E4-00736A