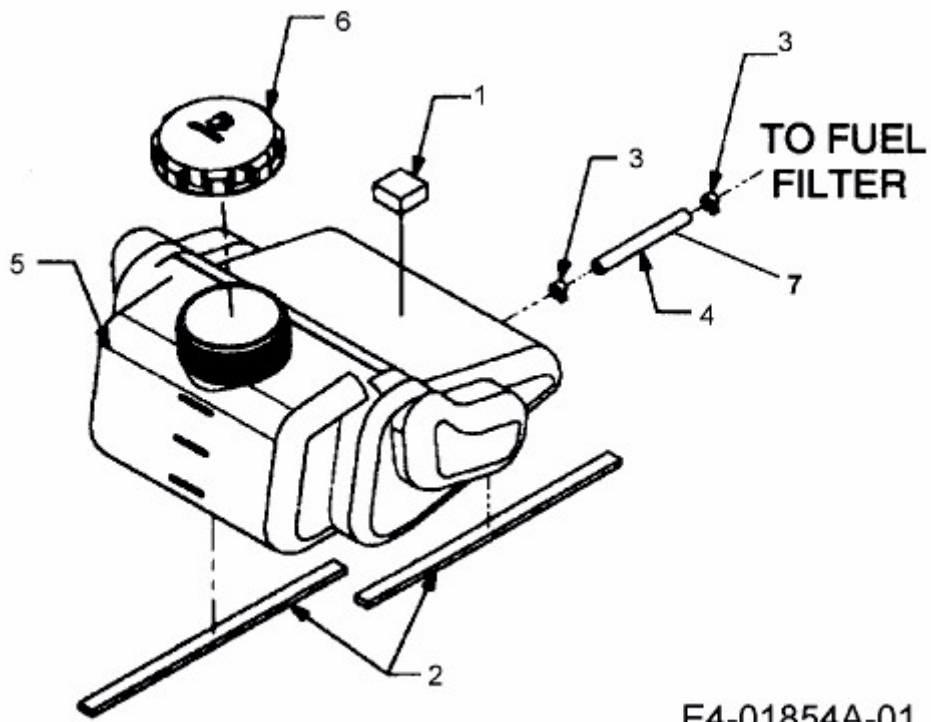


HDS 2205 > 13A-2D7-603 (2006) > TANK



E4-01854A-01

fig