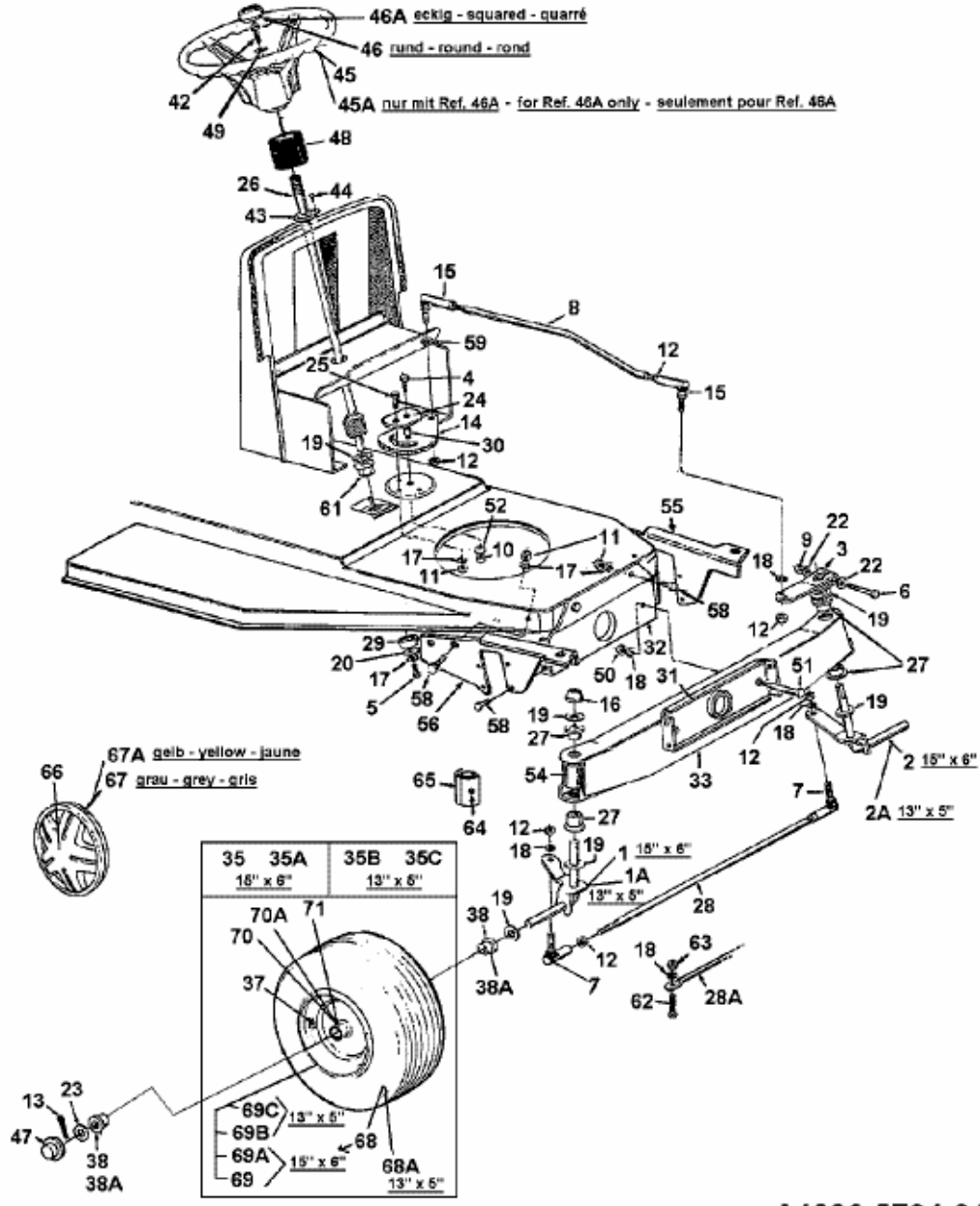


TE 4125 > 136L472E643 (1996) > VORDERACHSE



fig

A1996-5704-01