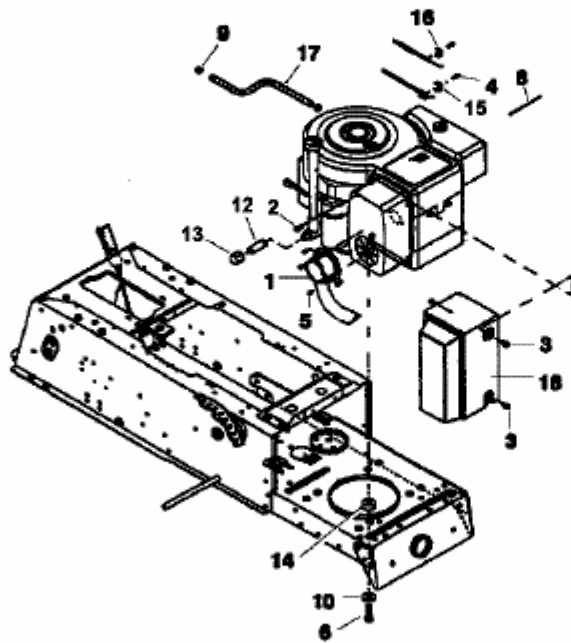


## Models 615 and 616 (Single Vanguard)



A1995-610-08