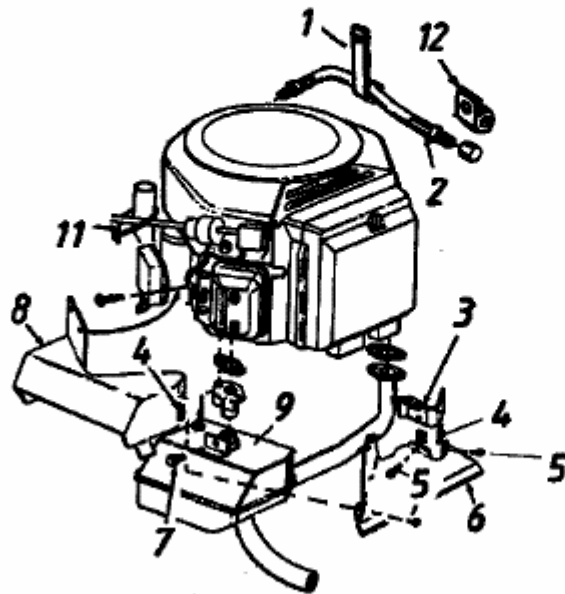


## Models 614 and 615 (Twin Vanguard)



A1995-610-10