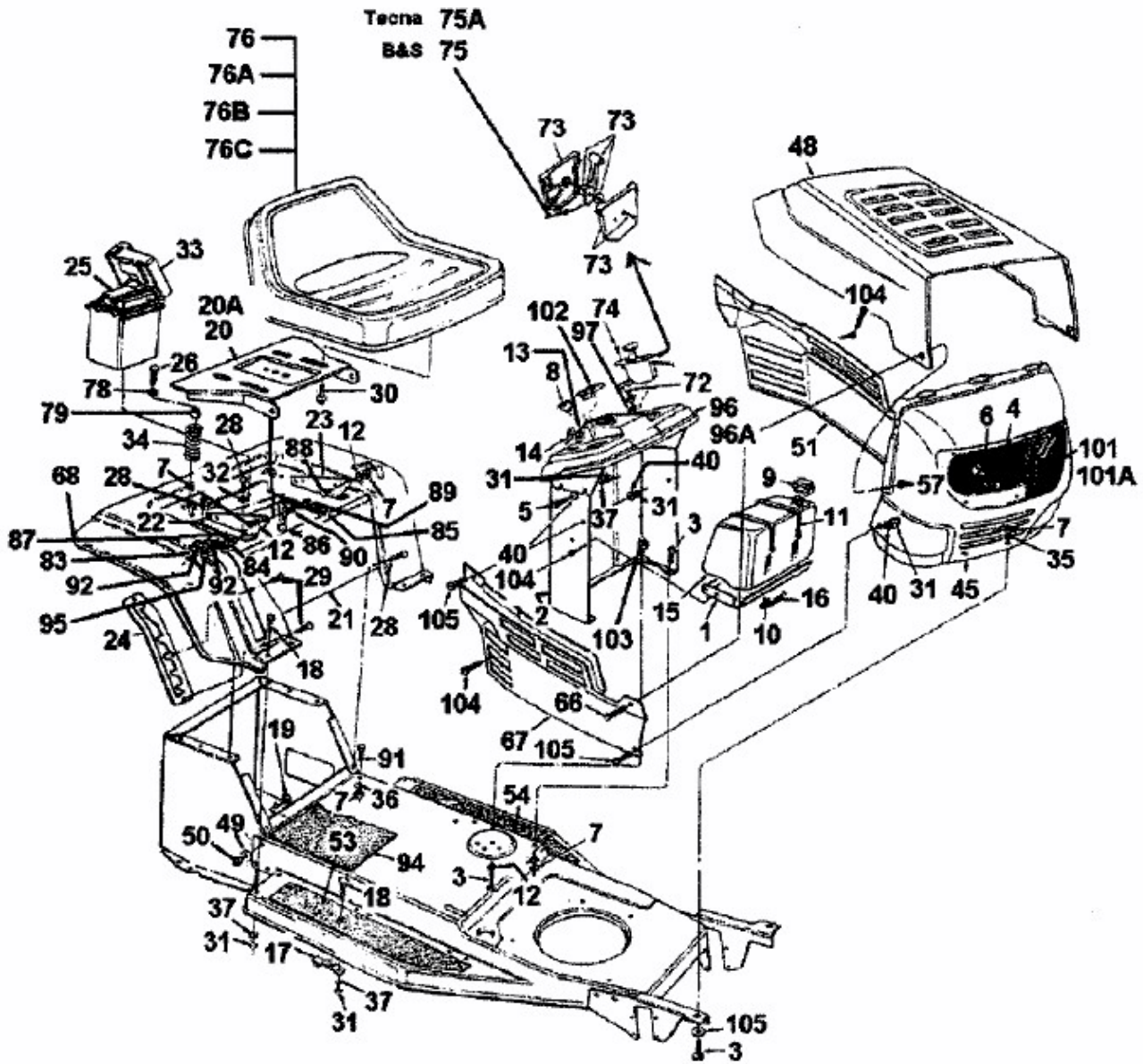


GARDOL 10.5/81 > 135B453D646 (1995) > ARMATURENBRETT



fsg

A1995-400-07