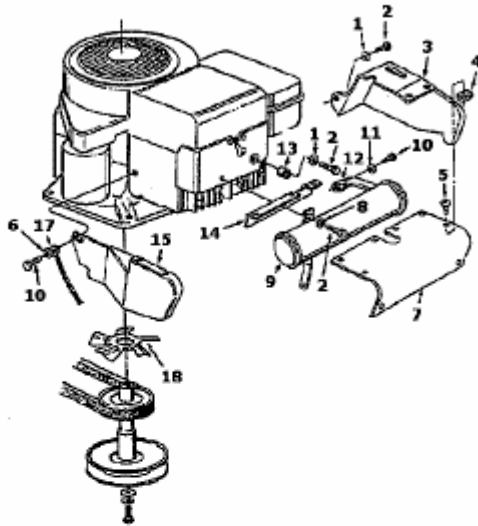


## Style 0, 1, 5, 7 and 9 (Single Cylinder)



## Style 4 and 6 (Single Cylinder)

