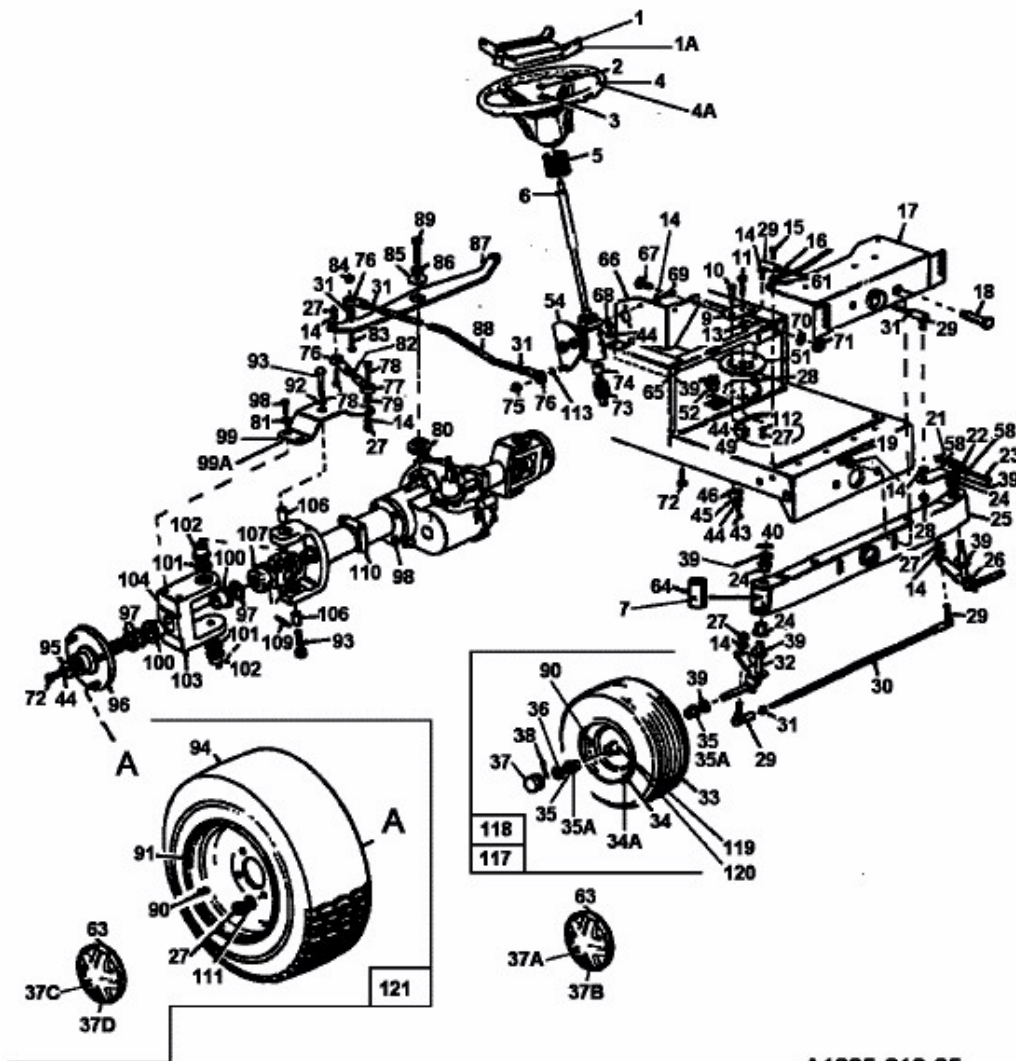


MODELS 617 - 619



A1995-610-05