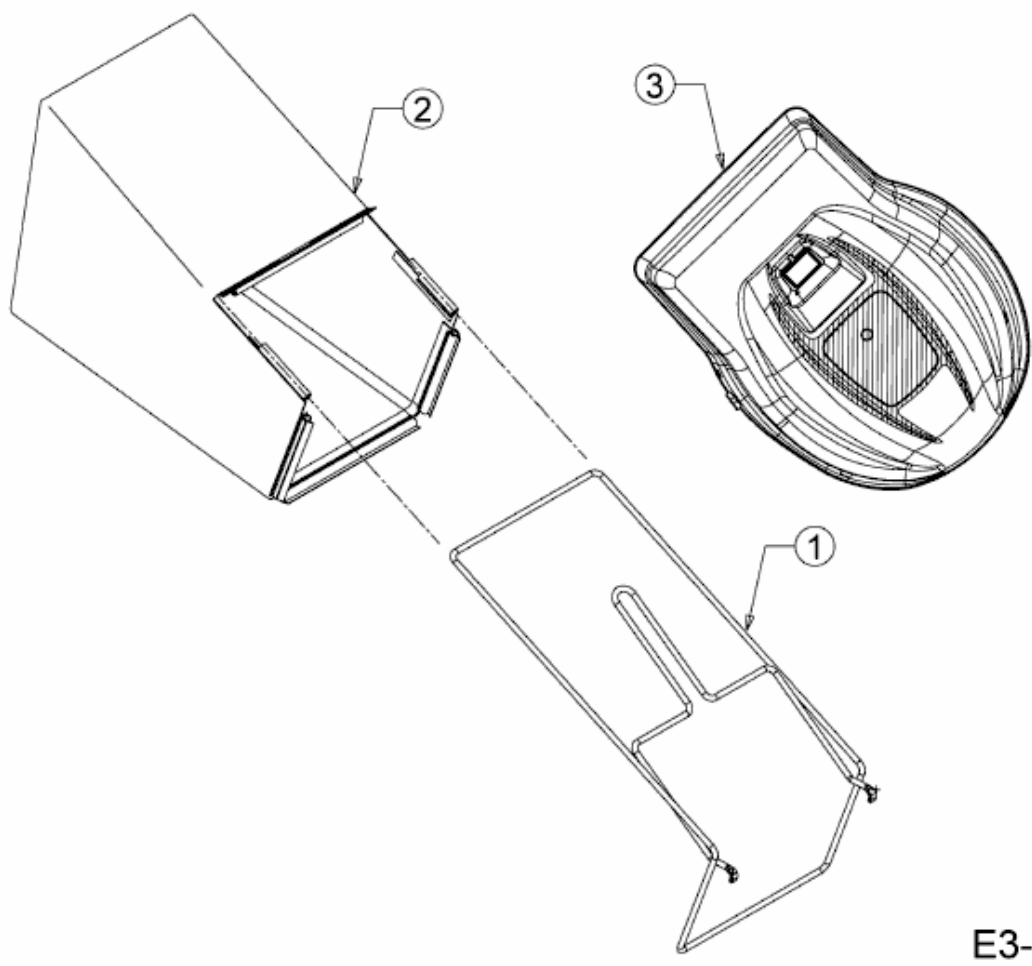


46 SPOE > 12EEJ5M4600 (2010) > GRASFANGSACK, HECKKLAPPE



E3-05480A-01