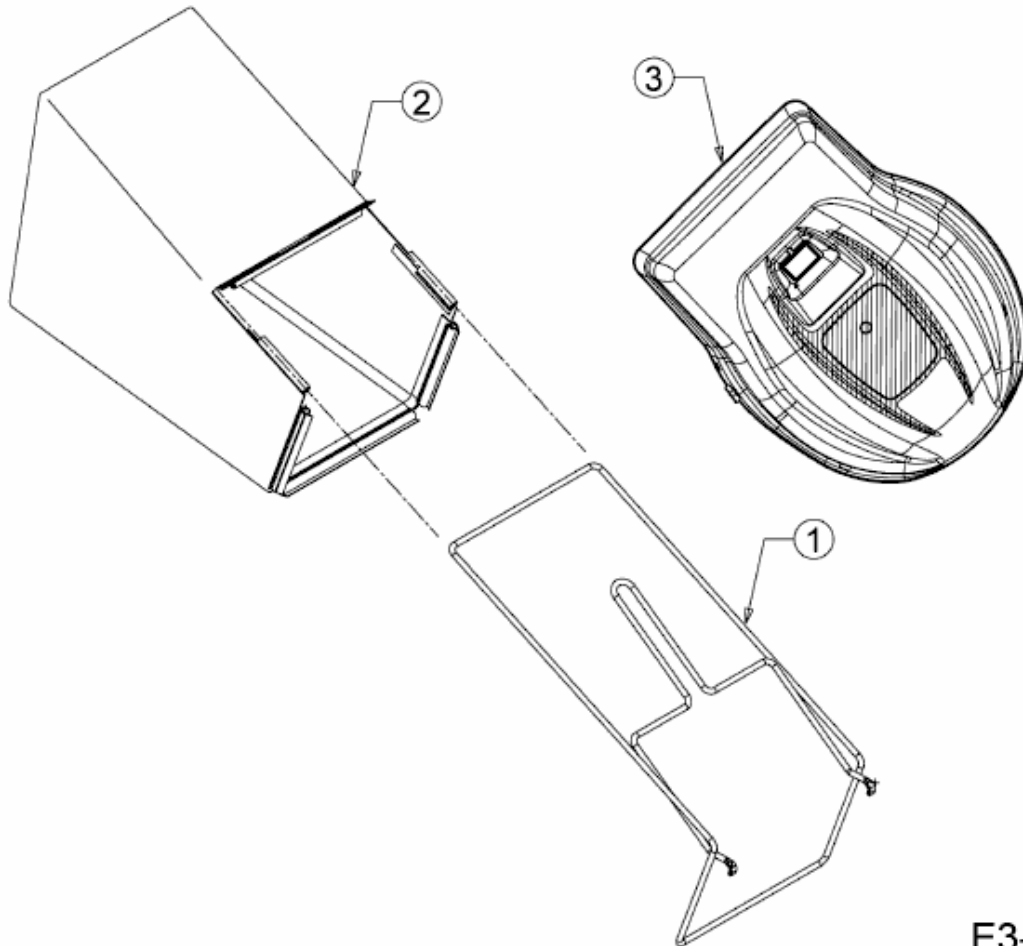


46 SPO > 12E-J2JD600 (2010) > GRASFANGSACK, HECKKLAPPE



E3-05480A-01