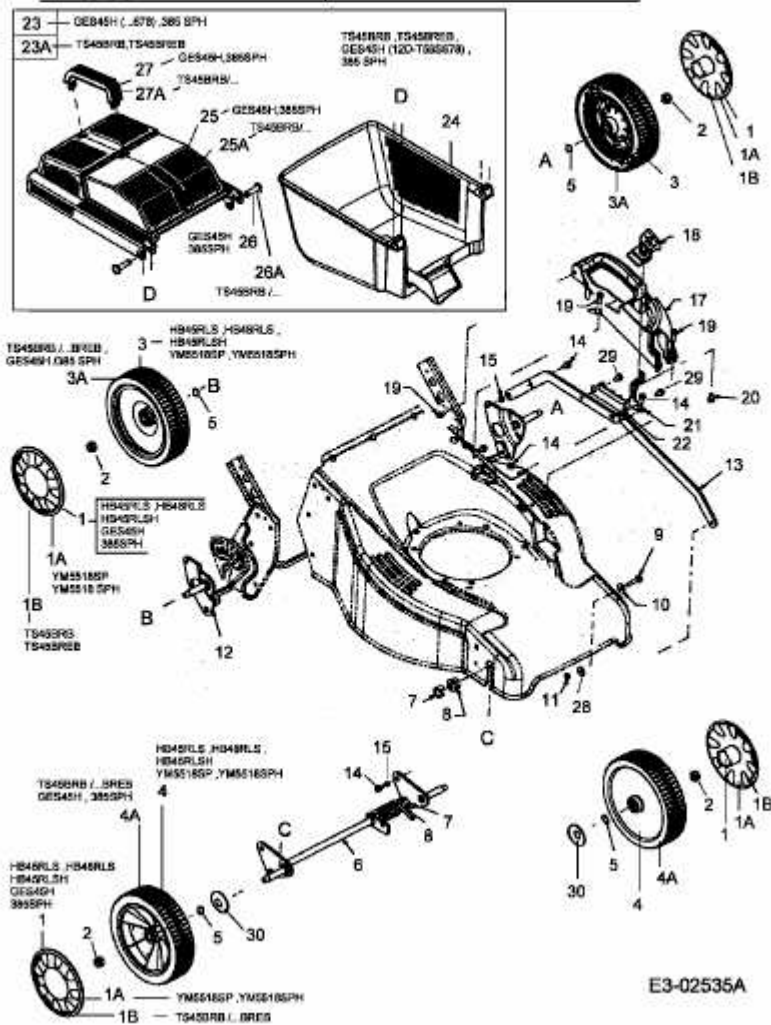


385 SPH > 12D-T58S611 (2005) > GRASFANGKORB, RÄDER, SCHNITTHÖHENVERSTELLUNG

| | | | |
|-------------|-------------|-----------|-------------|
| HB 45 RLS | 12D-T58P690 | TS45 BRB | 12D-T58R667 |
| HB 48 RLS | 12D-T58K690 | TS45 BREB | 12DET58V667 |
| HB 45 RLSH | 12D-T58Q690 | GES45 H | 12D-T58S678 |
| YM 5518 SP | 12D-T58P643 | GES45 H | 12D-T58S676 |
| YM 5518 SPH | 12D-T58Q643 | 385 SPH | 12D-T58S611 |



E3-02535A