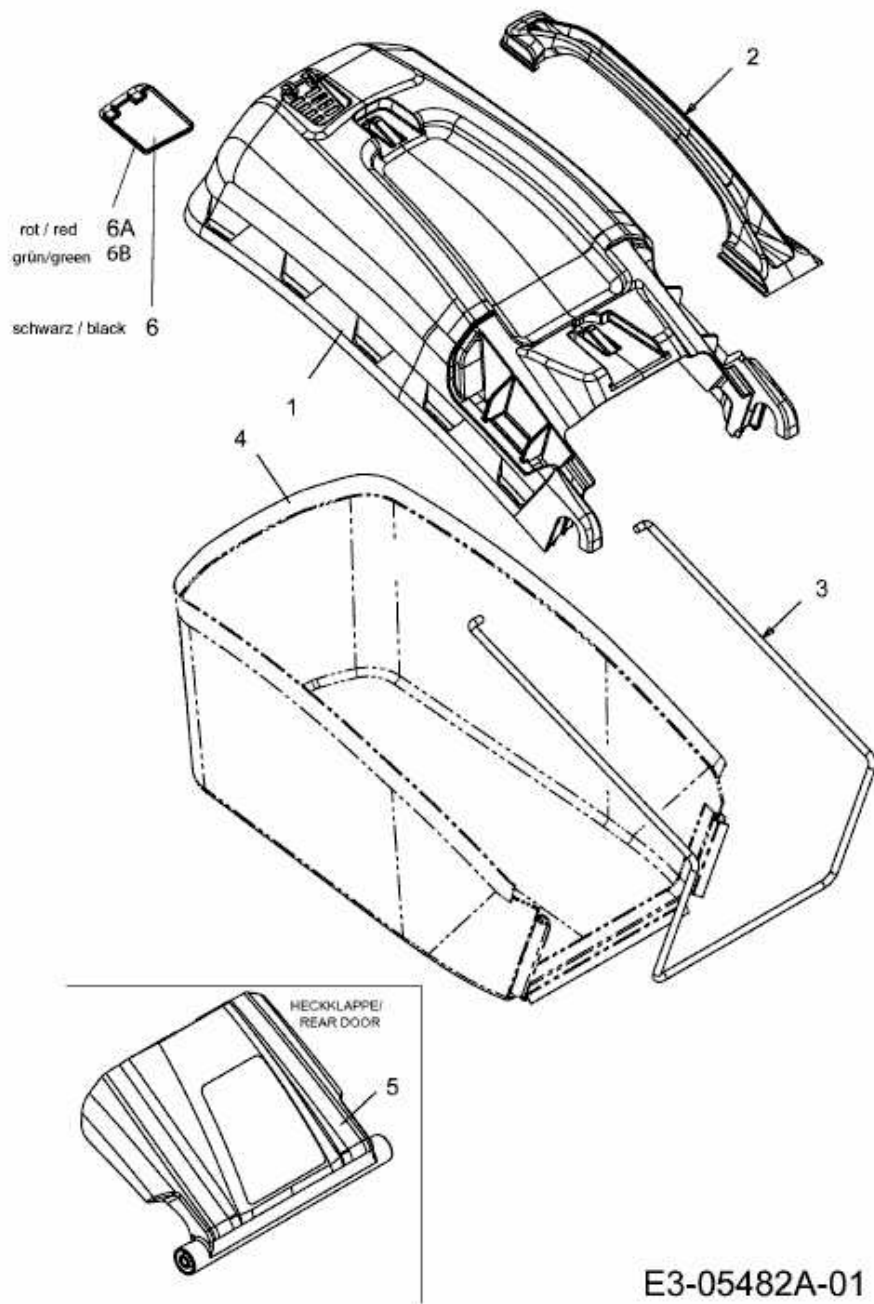


46 SPHM-HQ > 12D-J2AQ616 (2010) > GRASFANGSACK



E3-05482A-01