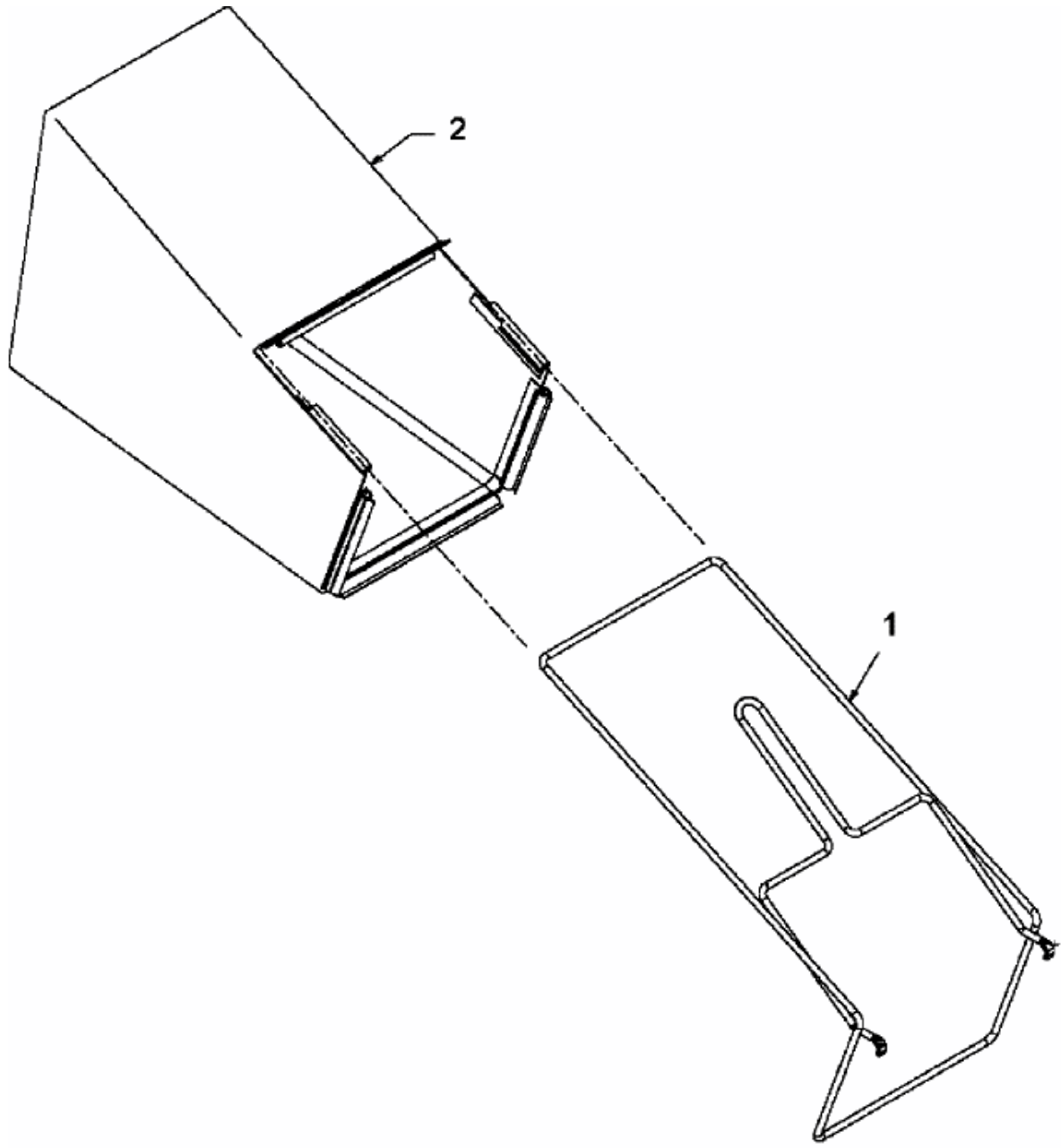


46 SPBHW > 12C-J68R676 (2009) > GRASFANGSACK



E3-03203A-01