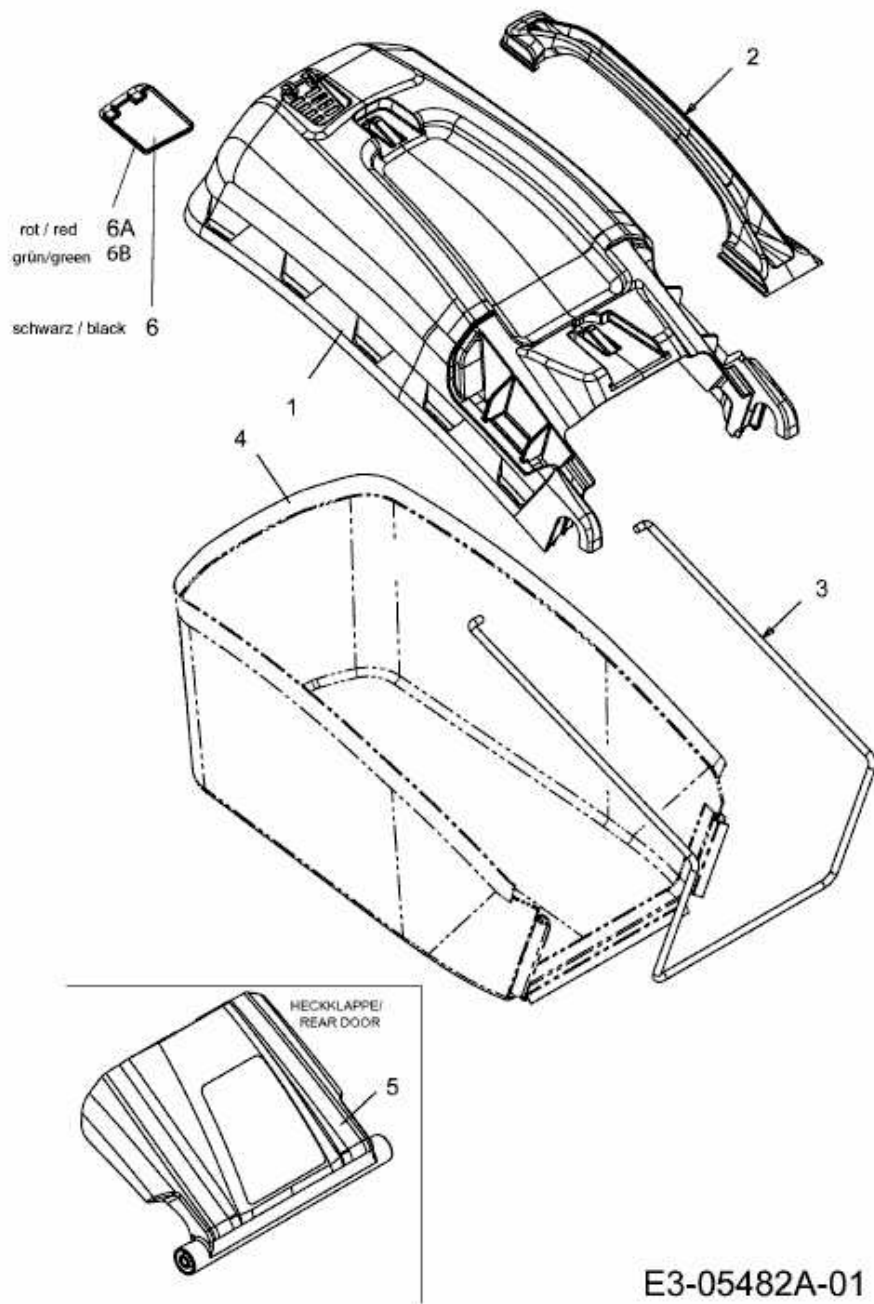


46 SPKHW > 12C-J67D600 (2013) > GRASFANGSACK



E3-05482A-01