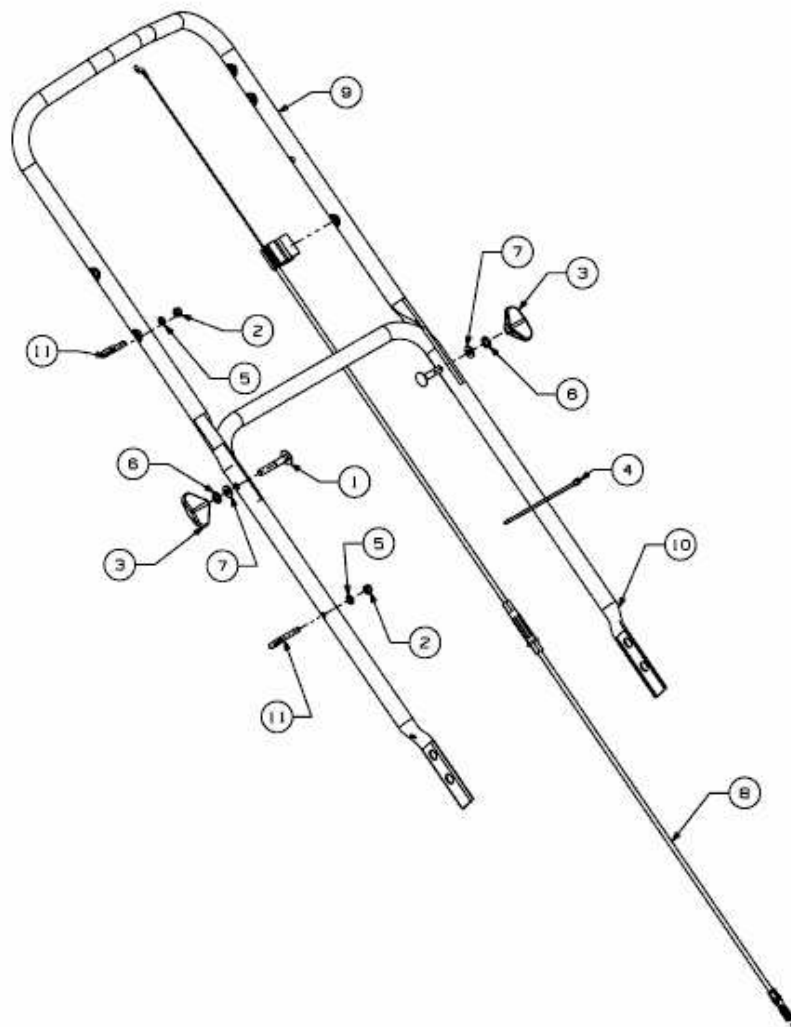


46 SPBHW > 12C-J60G600 (2009) > HOLM, SCHALTZUG



E3-04944A-01