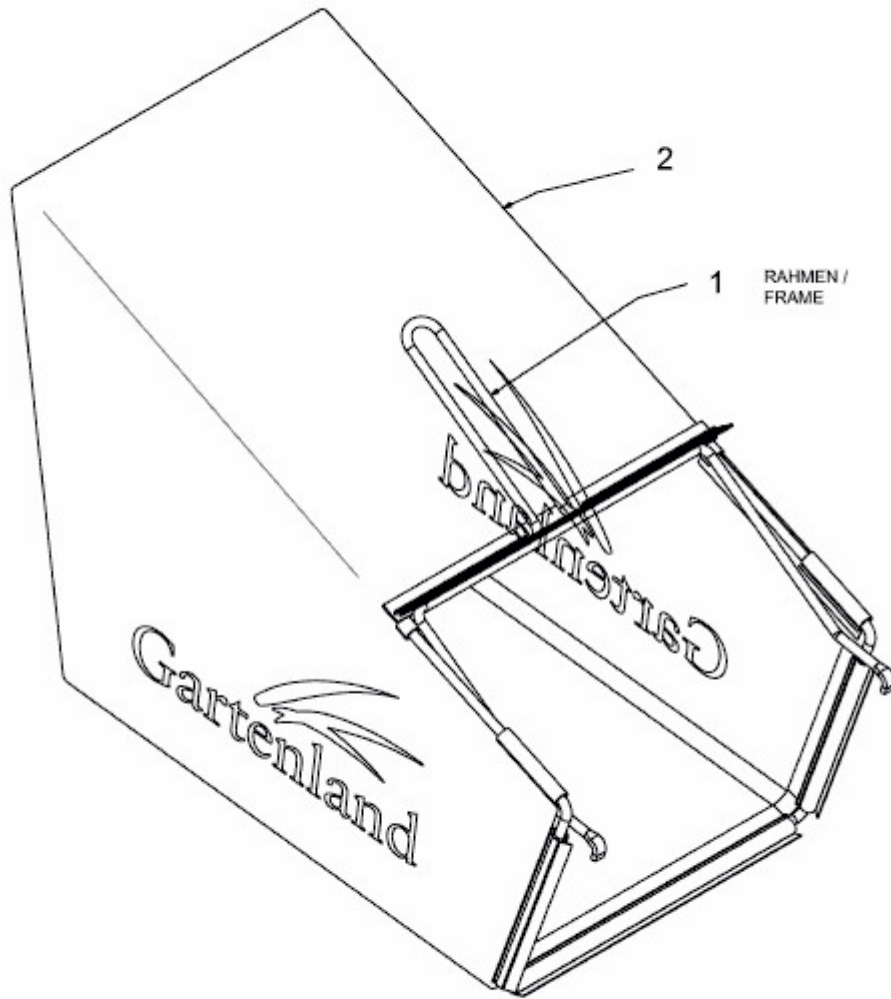


511.GLS 53 A > 12C-84M1640 (2009) > GRASFANGSACK



E3-05151A-01