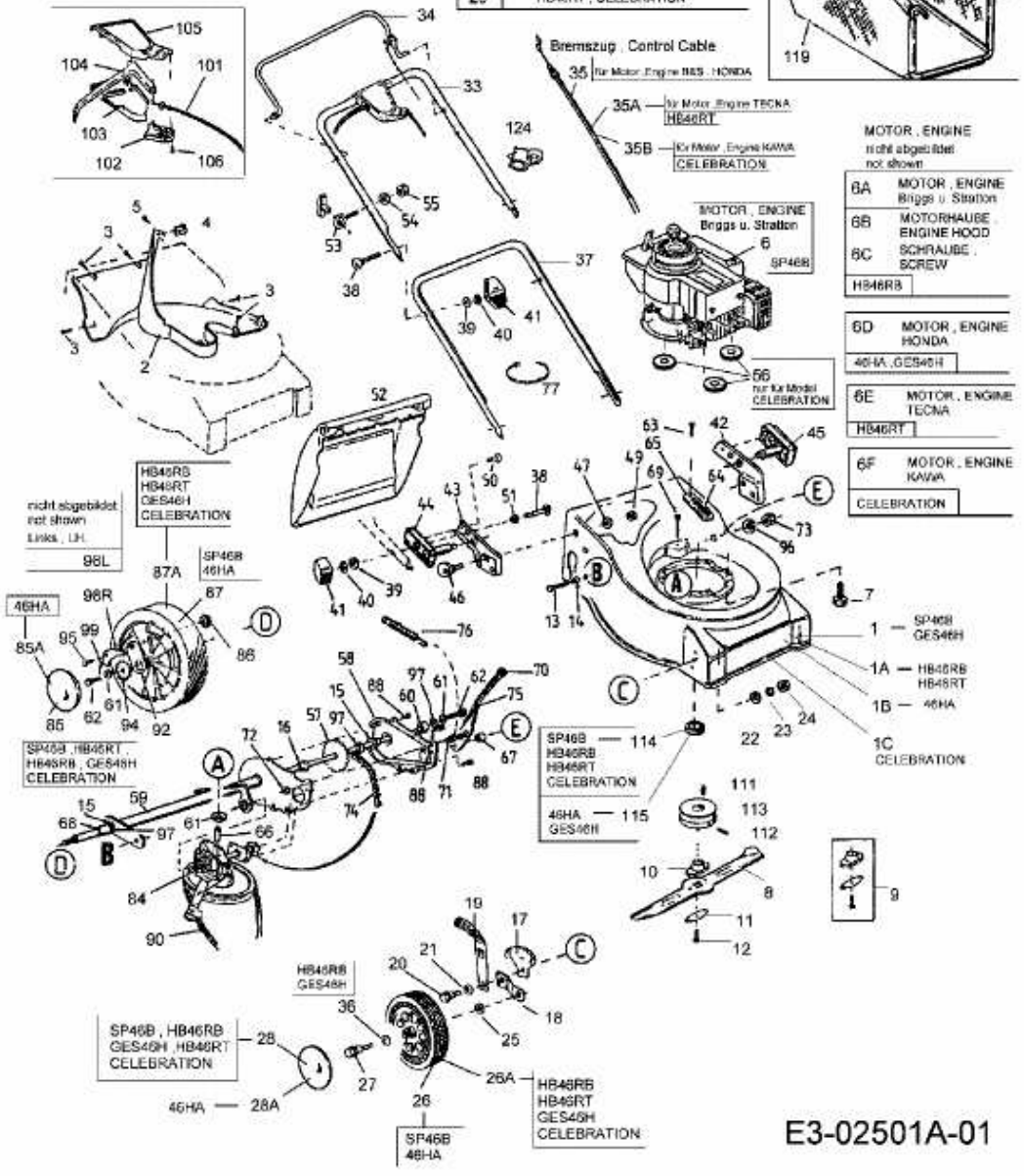
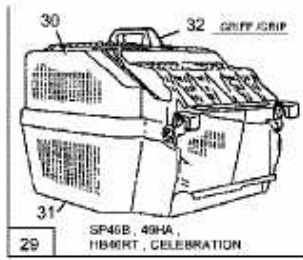


HB 46 RT > 12C-683N690 (2005) > GRUNDGERÄT

SP 46 B	12A-680H657
HB 46 RB	12A-688R690
46 HA	12A-688Q621
GES 46 H	12A-688Q676
HB 46 RT	12C-683N690
CELEBRATION	12A-687D686



E3-02501A-01